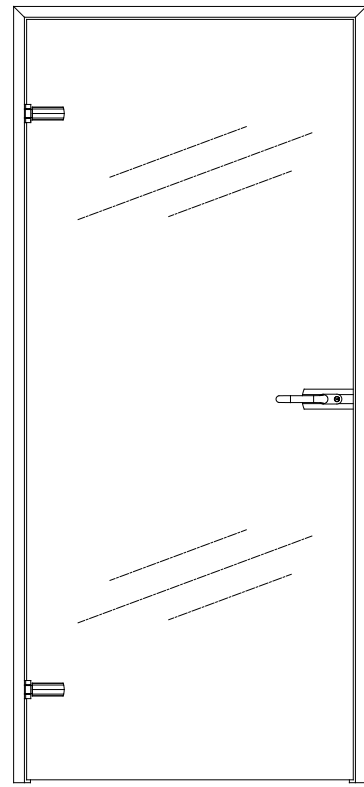
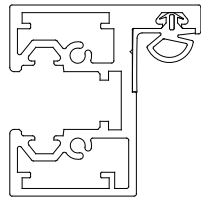
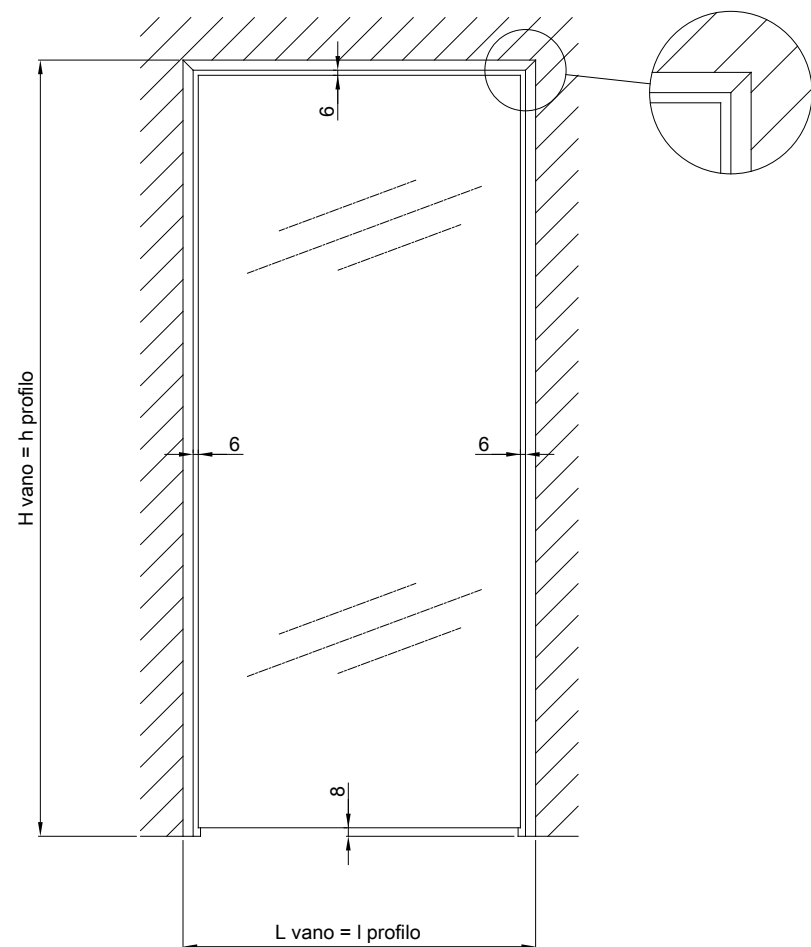


P30W

A



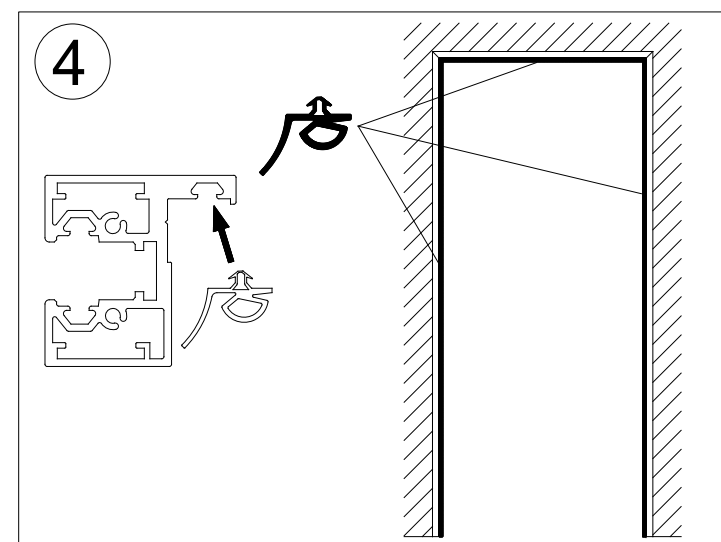
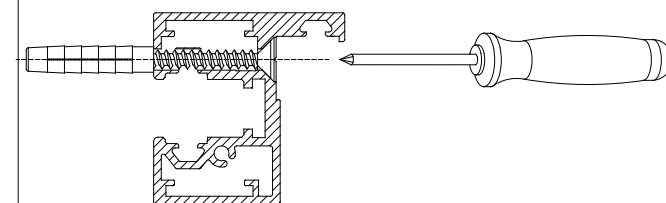
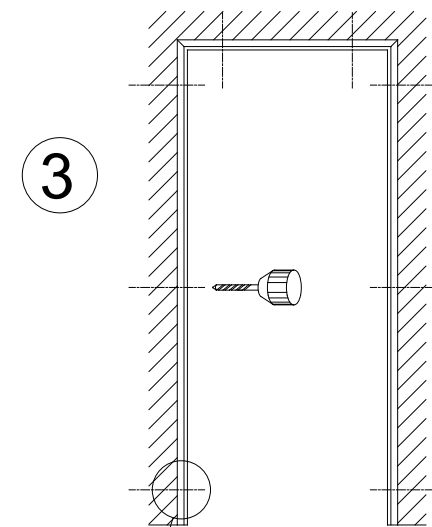
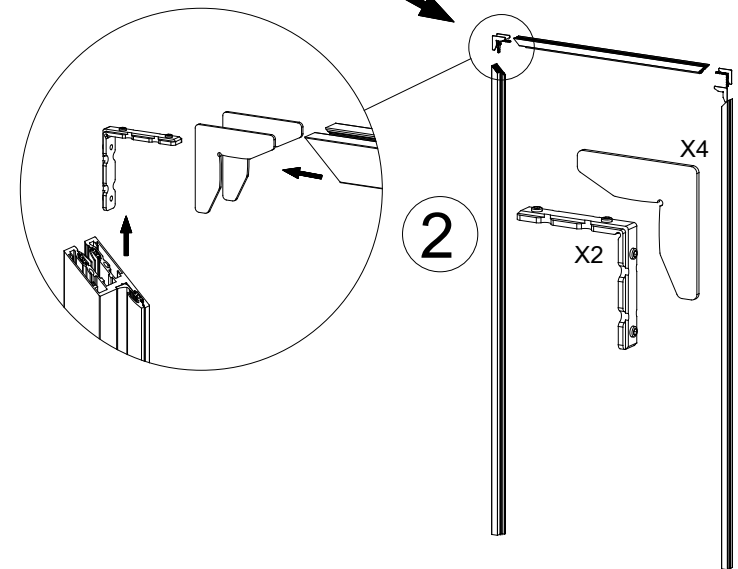
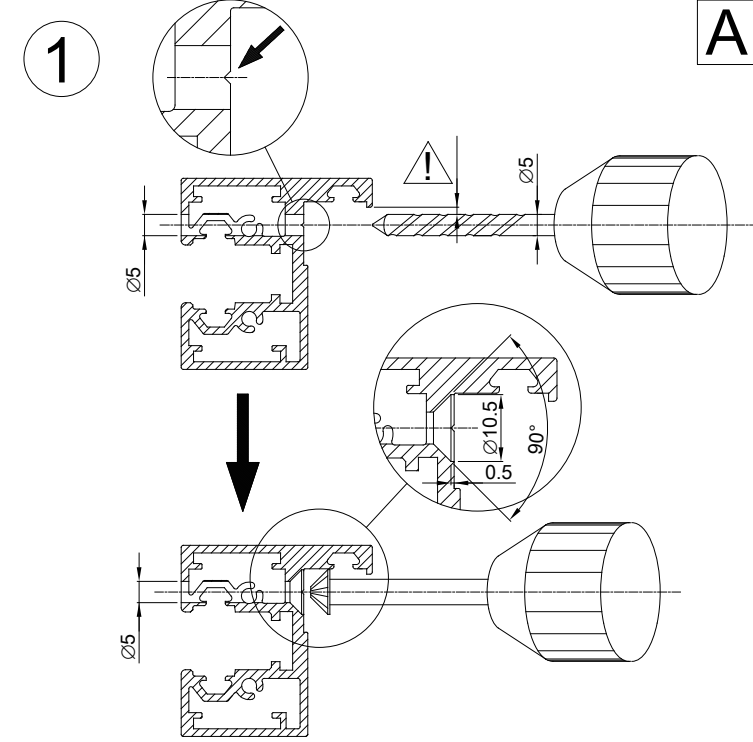
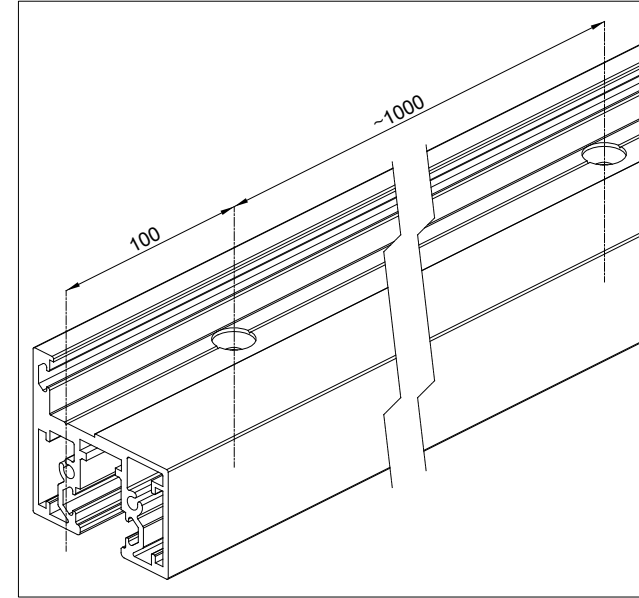
DIMENSIONAMENTO PROFILO – EVALUAR EL PERFIL
DIMENSIONING OF PROFILE – PROFILABMESSUNGEN



XC-IM-P30W

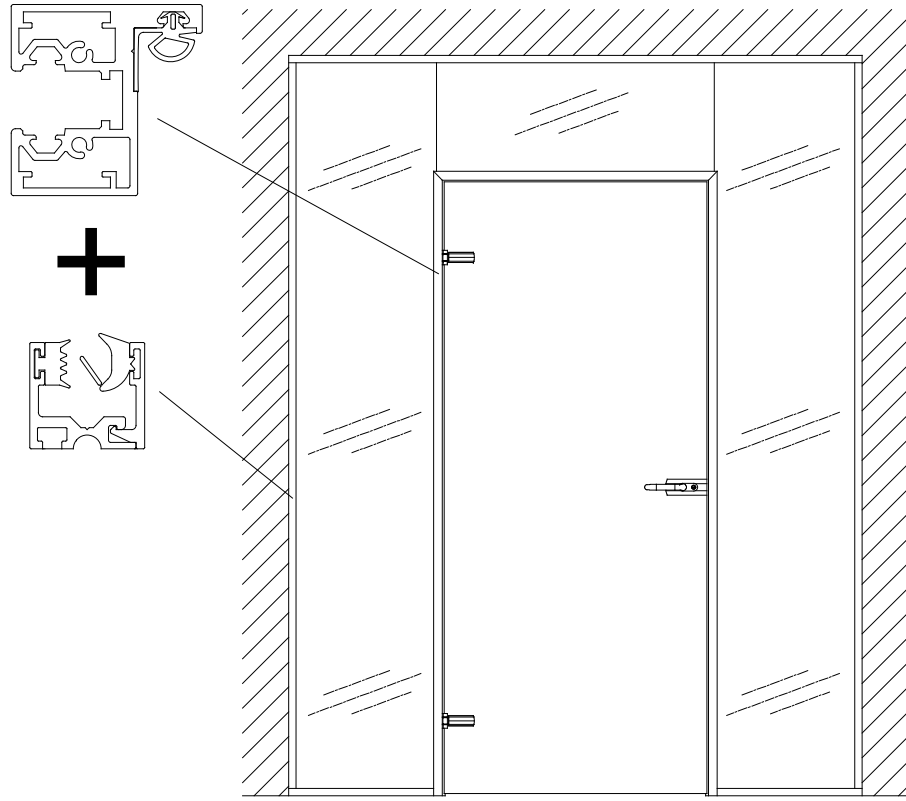
P30W

A

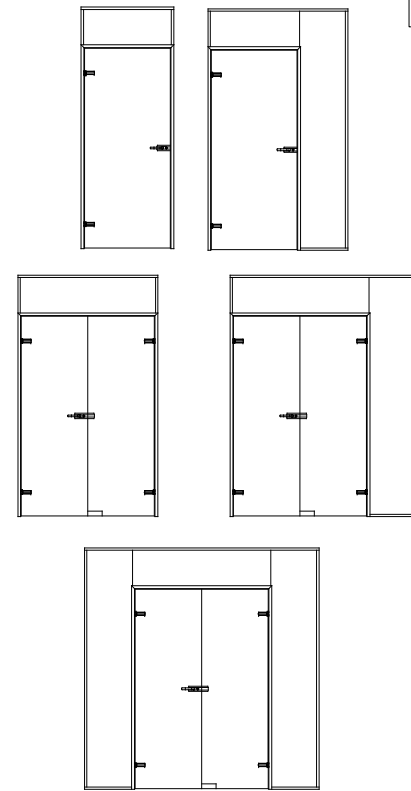


XC-IM-P30W

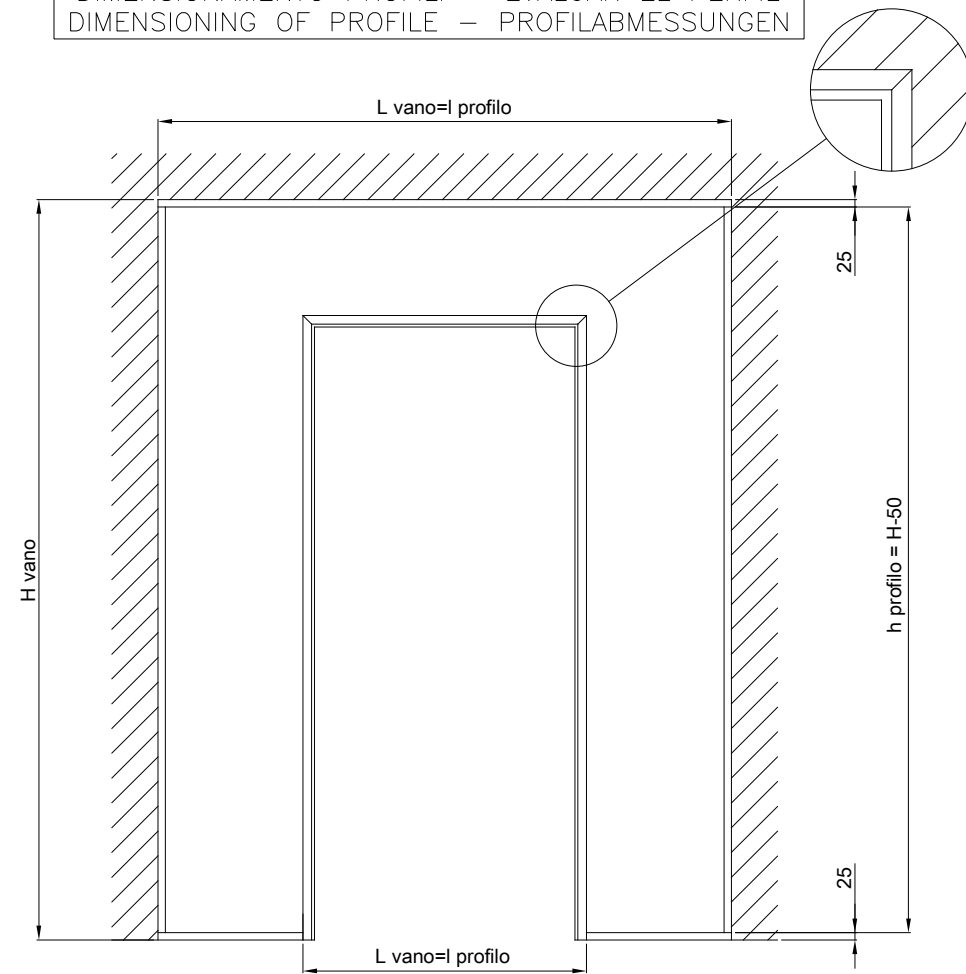
P30W



B

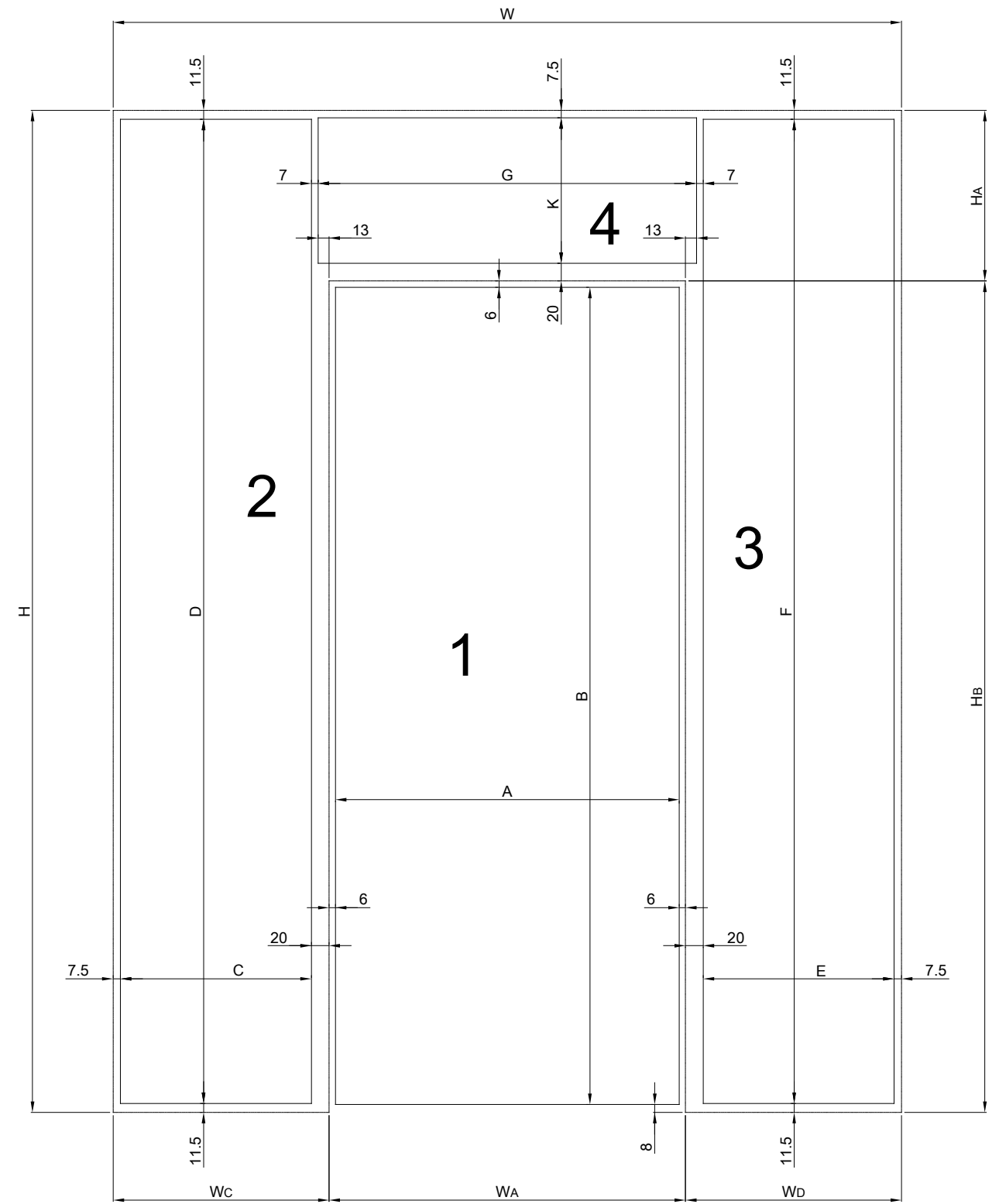


DIMENSIONAMENTO PROFILI – EVALUAR EL PERFIL
DIMENSIONING OF PROFILE – PROFILABMESSUNGEN



XC-IM-P30W

P30W



B

2. $C = W_C - 27.5\text{mm}$
 $D = H - 23\text{mm}$

1. $A = W_A - 12\text{mm}$
 $B = H_B - 14\text{mm}$

3. $E = W_D - 27.5\text{mm}$
 $F = H - 23\text{mm}$

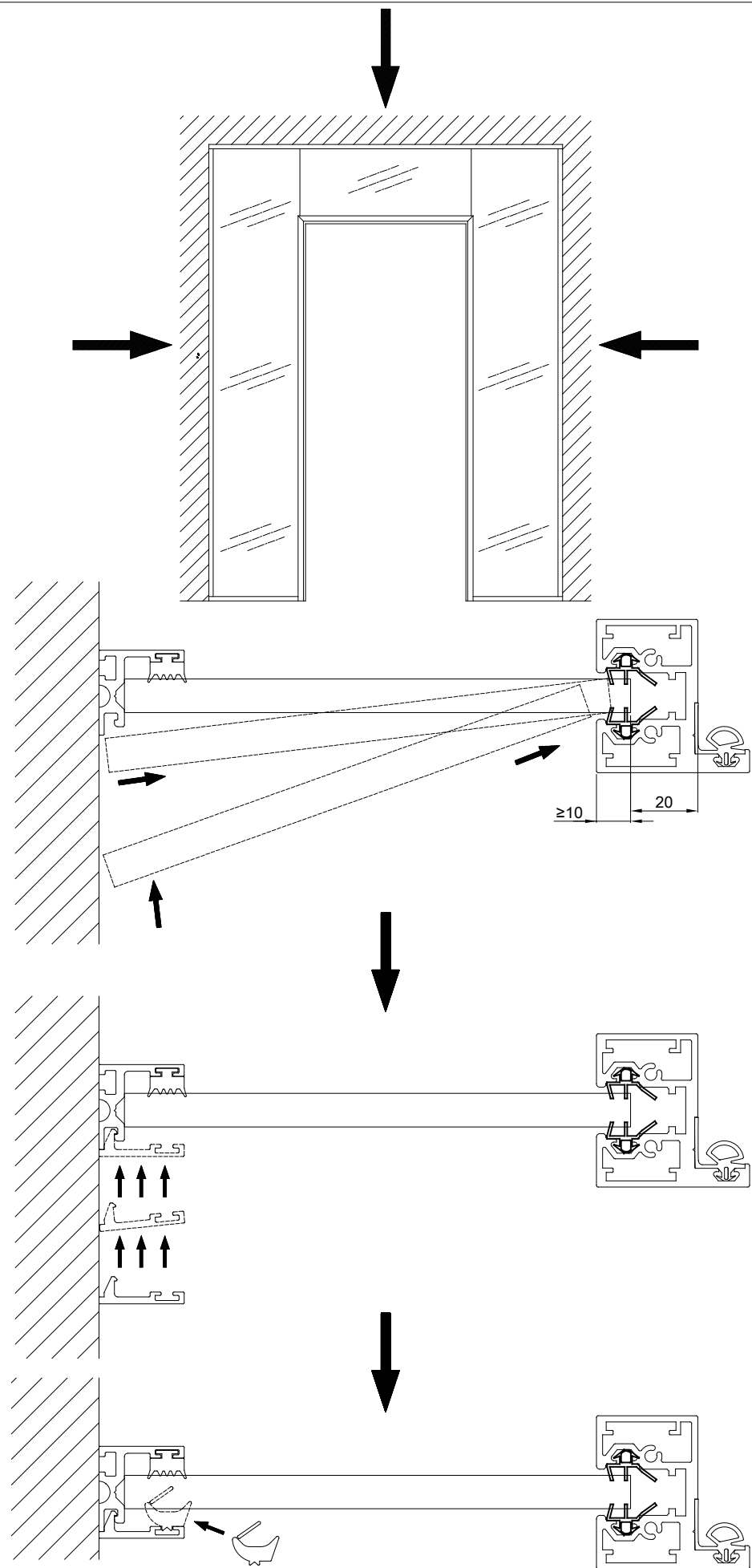
4. $G = W_A + 26\text{mm}$
 $K = H_A - 27.5\text{mm}$

XC-IM-P30W

P30W

8

B



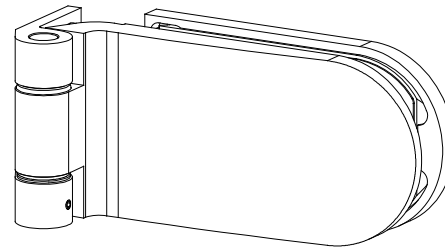
XC-IM-P30W

P30W

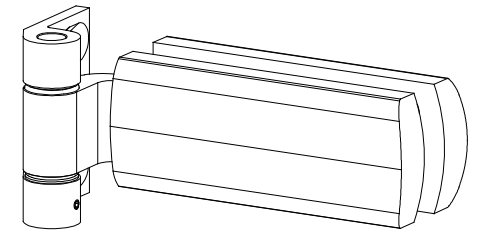
NOT INCLUDED

A B

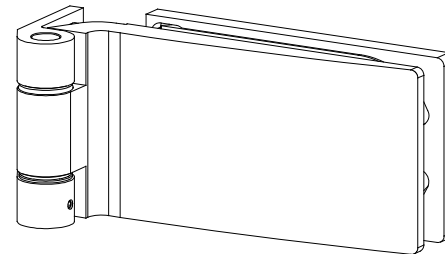
8664P



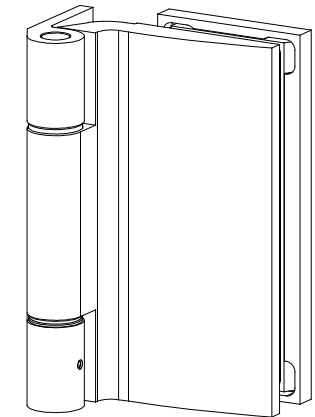
8810P



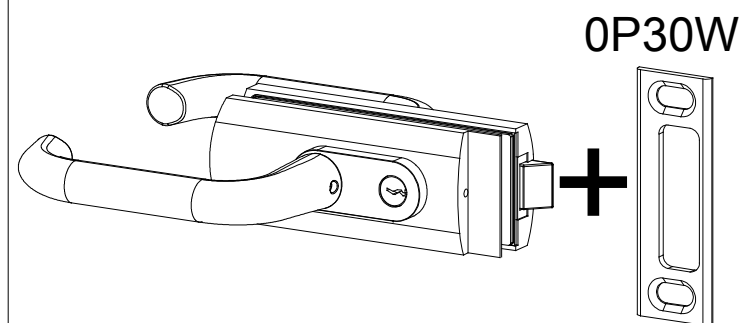
8665P



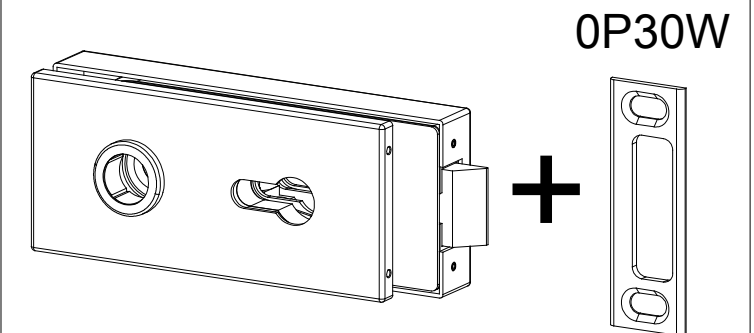
8674P



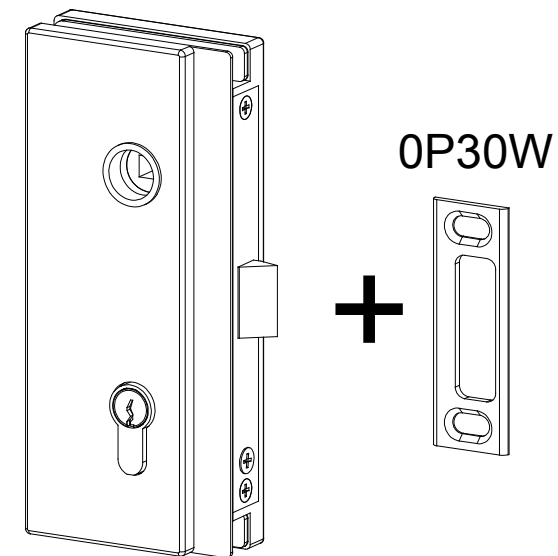
FLEXA



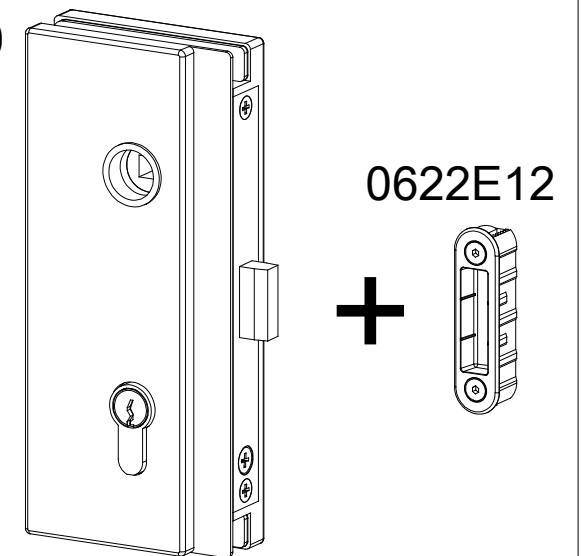
LOQ



620E10



622E10



XC-IM-P30W