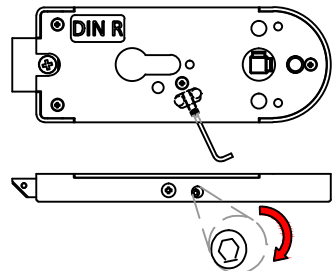


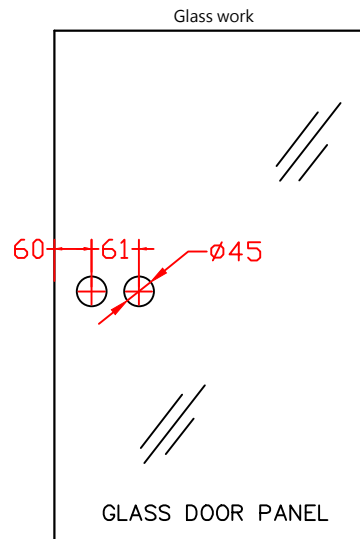
Glass Door Lock & Strike Box Installation Instruction

FEATURES :

- Low noise whisper functionality
- Clamp follower function
- Adjustable spring force function
- Suitable for glass thickness 8~12mm
- 16/18mm handle holder for option
- Easy exchange DIN Left & Right side
- Patented

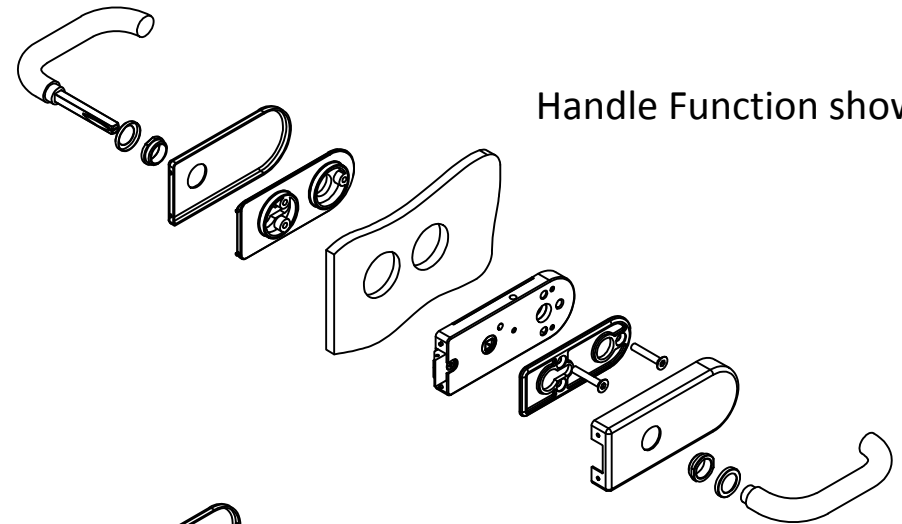


Turning Allen key to get stronger spring force

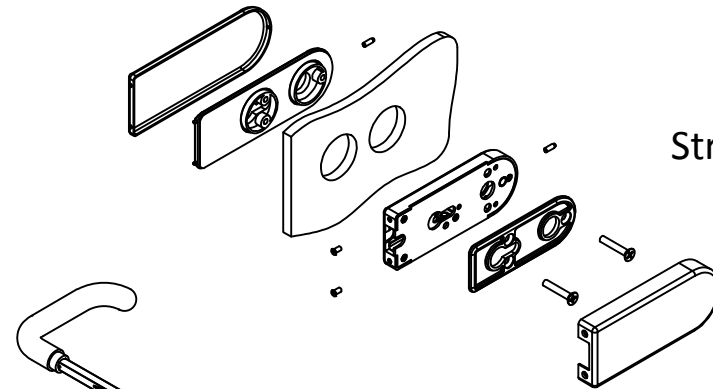


DIN R Shown

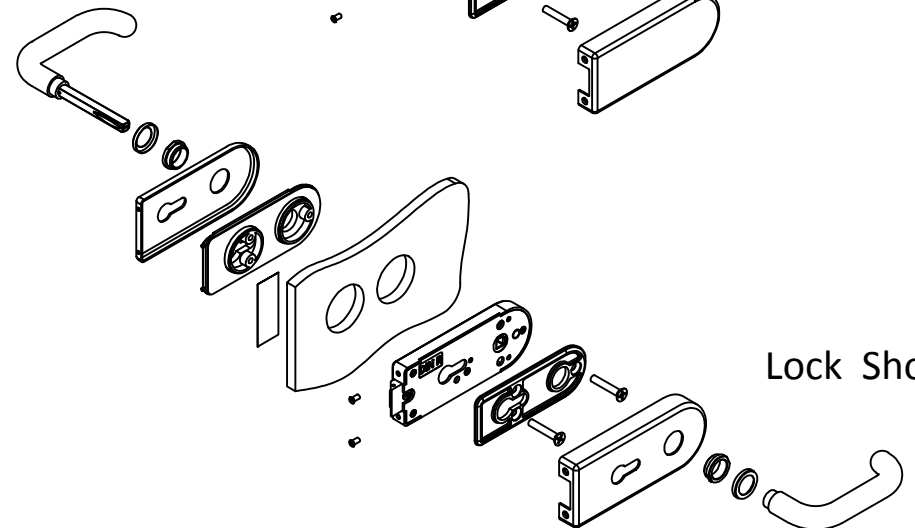
Handle Function shown



Strike Box Shown

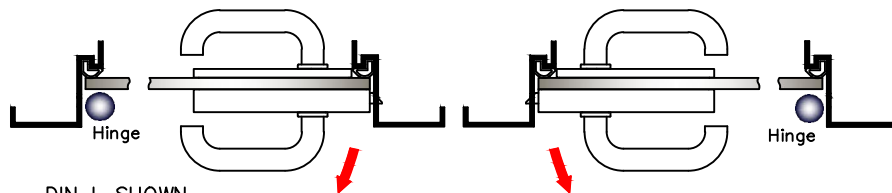


Lock Shown



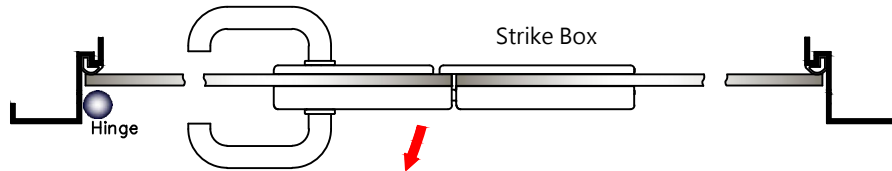
DIN L SHOWN

DIN R SHOWN



DIN L SHOWN

Strike Box



DIN R SHOWN

Strike Box

