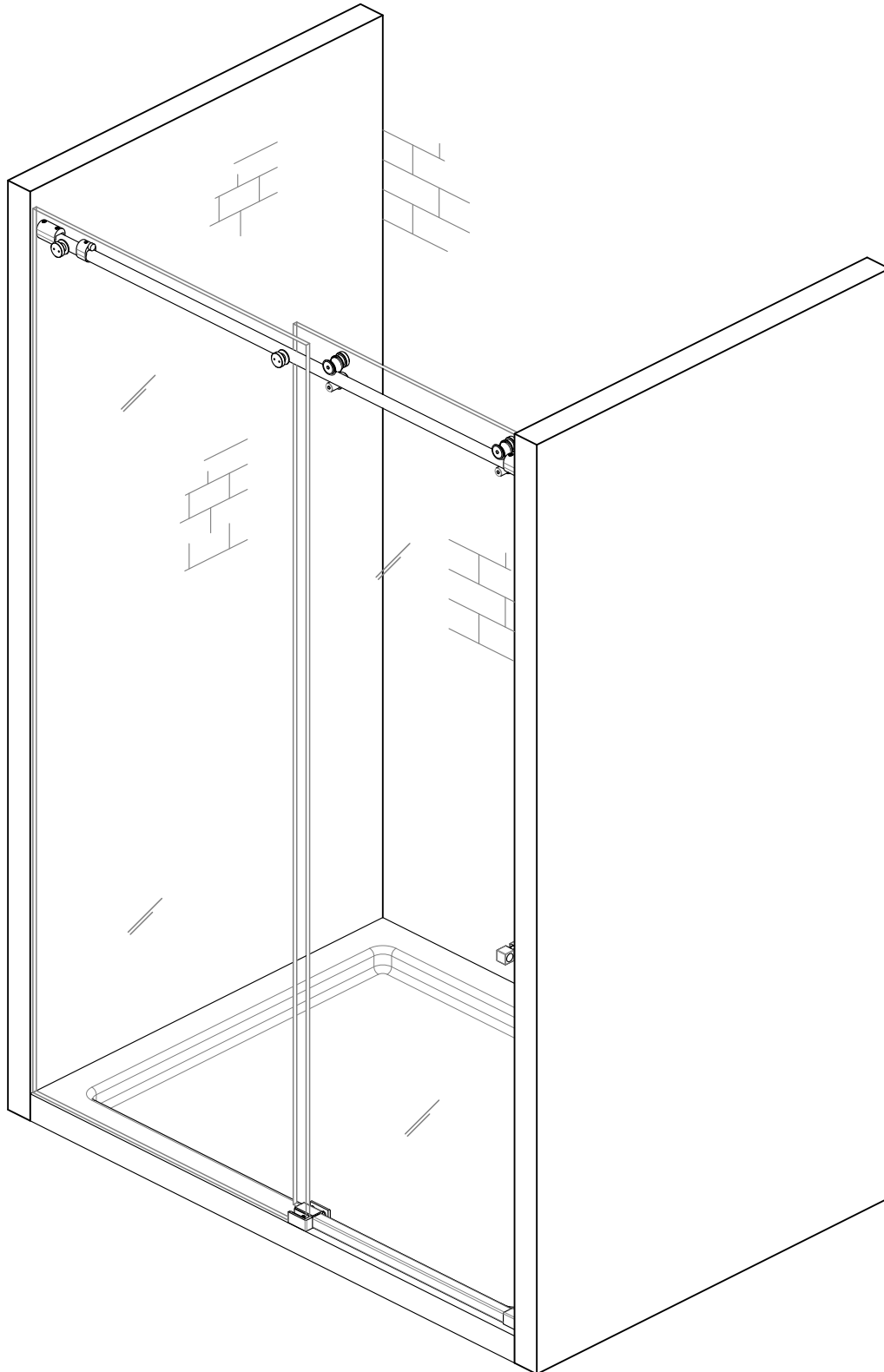

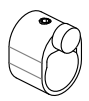
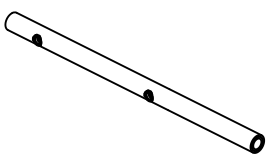
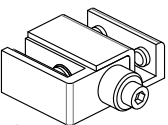
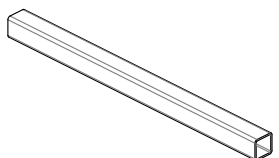
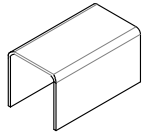
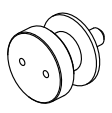
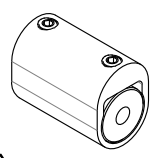
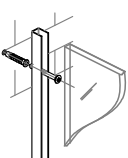
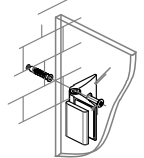





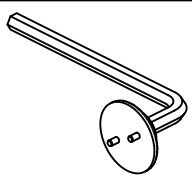
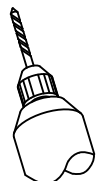


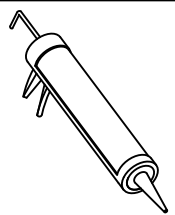

BZ03  
SHOWER BOXE "HIP ZAC"  
NICHE KIT - ROUND SECTION

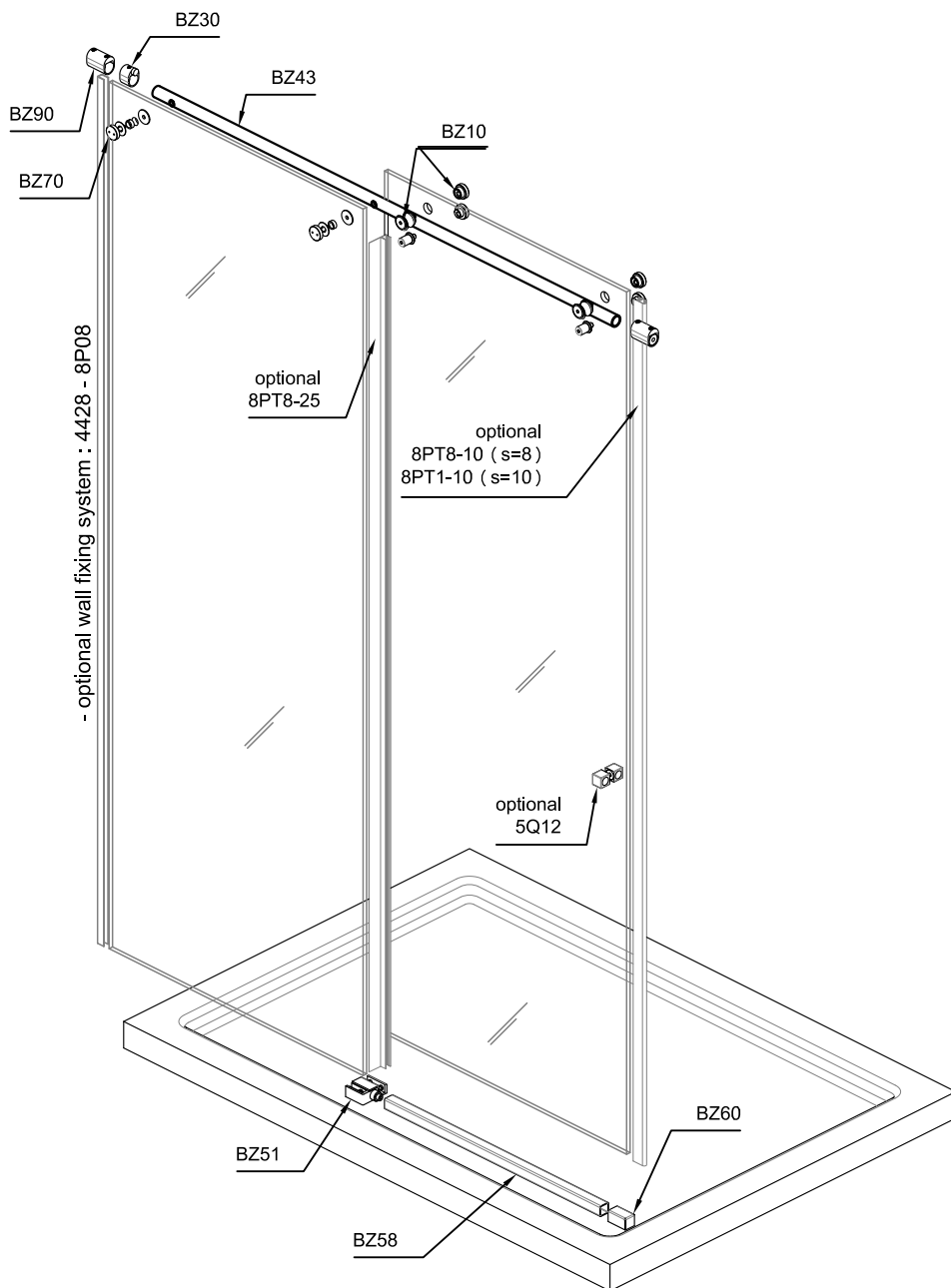


Installation instructions

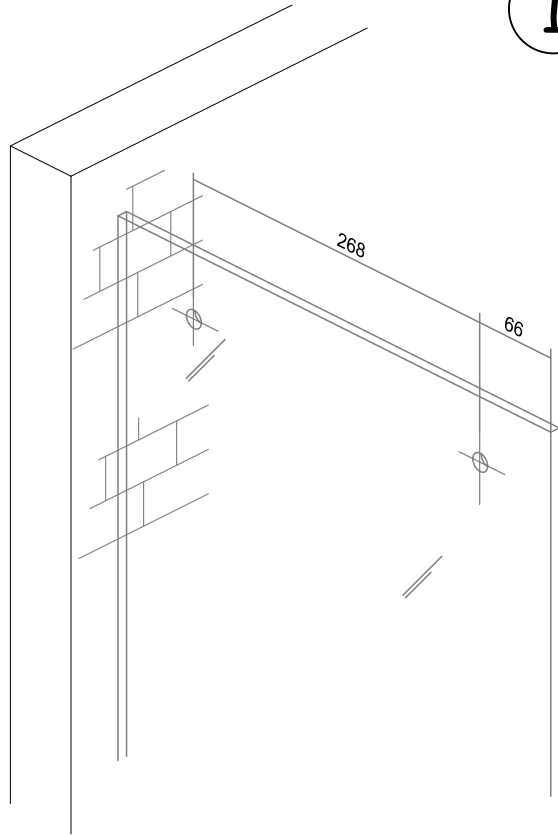
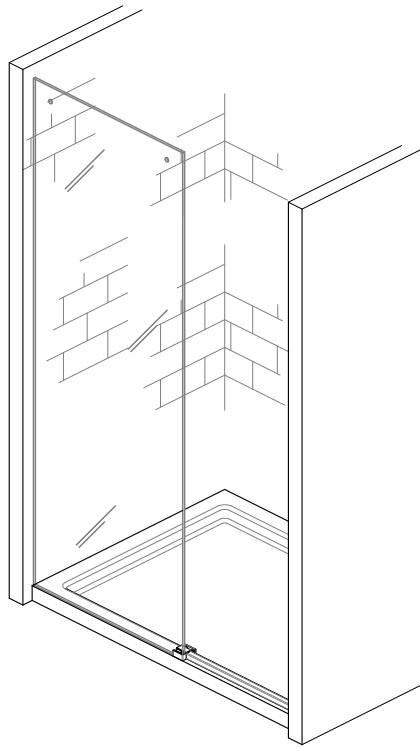
Packing List	
	BZ10 2 X
	BZ30 1 X
	BZ43 2 X
	BZ51 1 X
	BZ58 1 X
	BZ60 1 X
	BZ70 2 X
	BZ90 2 X

Optionals parts				
				
8P08	4428	5Q12	8PT160-61	8PT8-25

Tools supplied	Tools required	Fittings required
 CH-NEUS	   	 n x

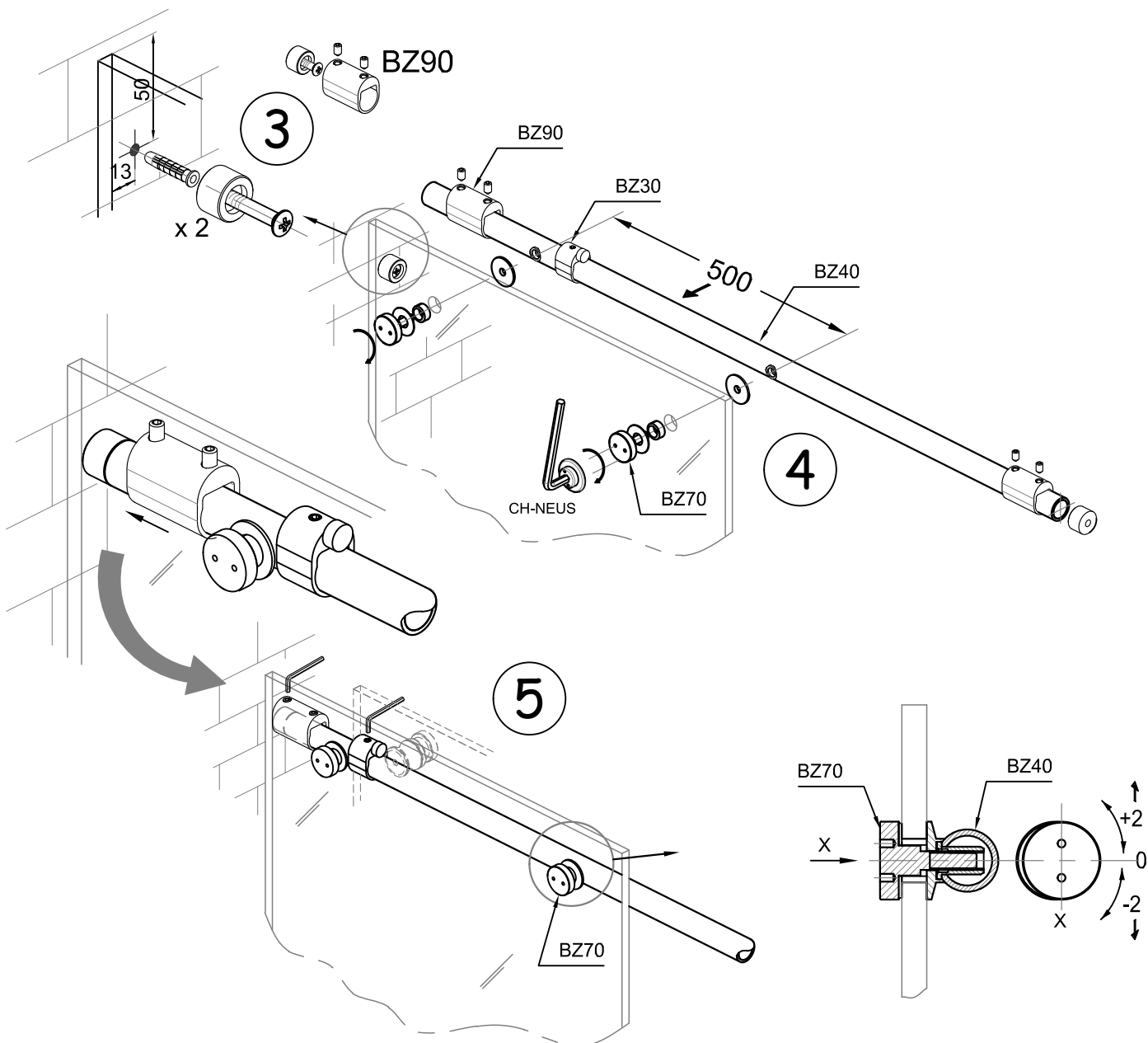
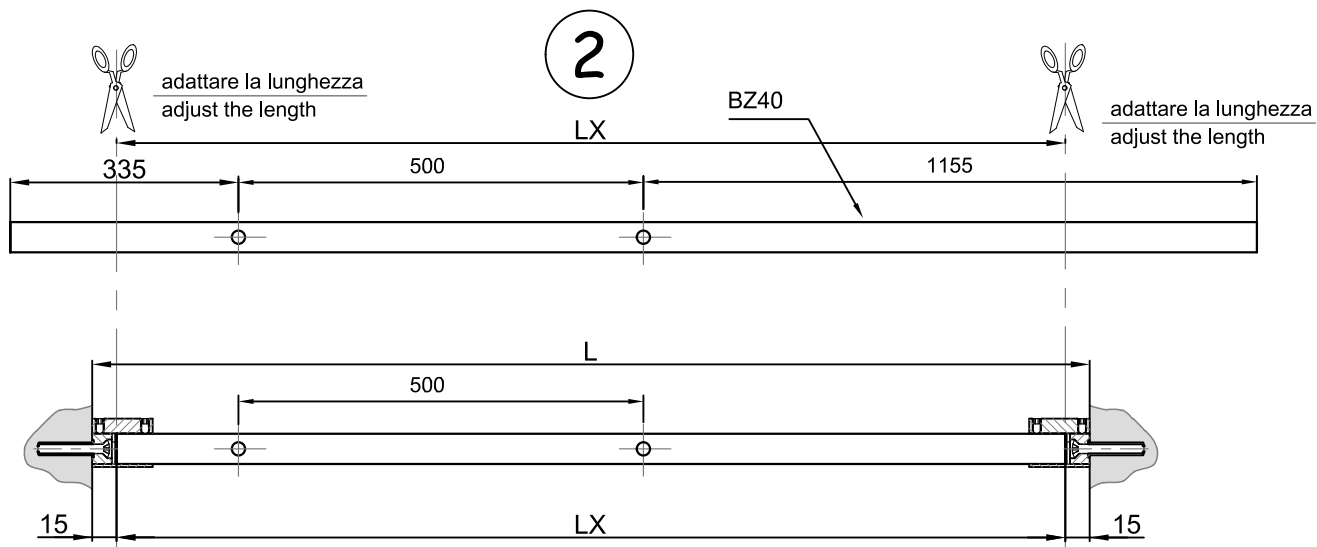


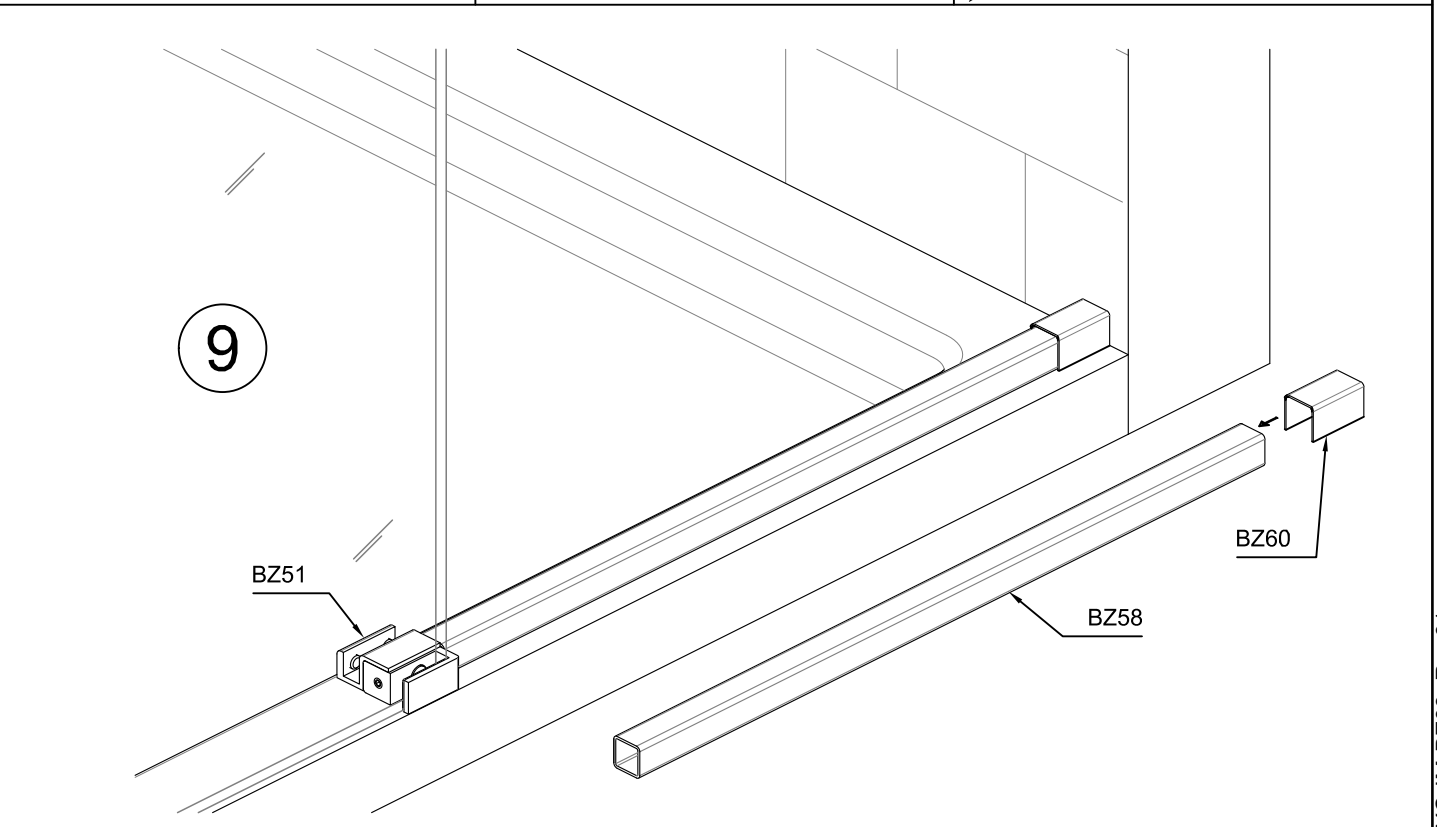
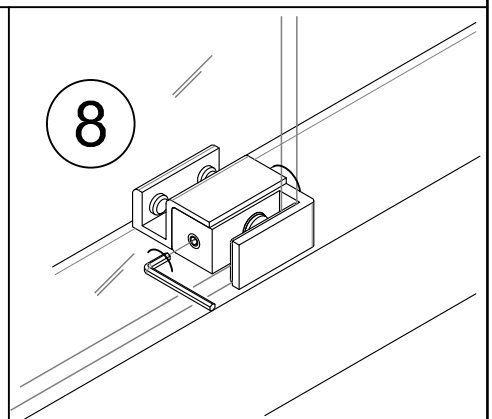
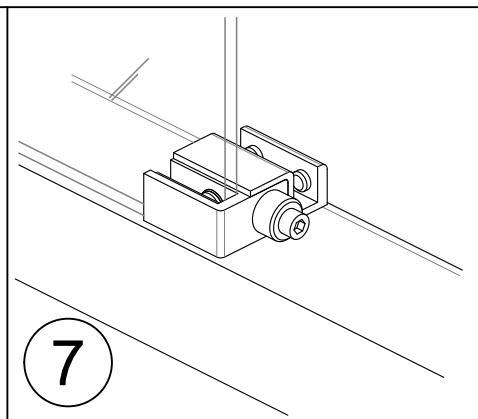
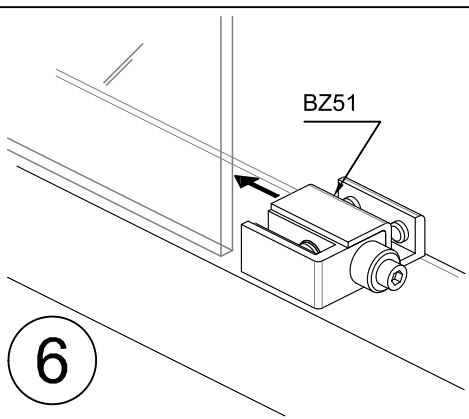
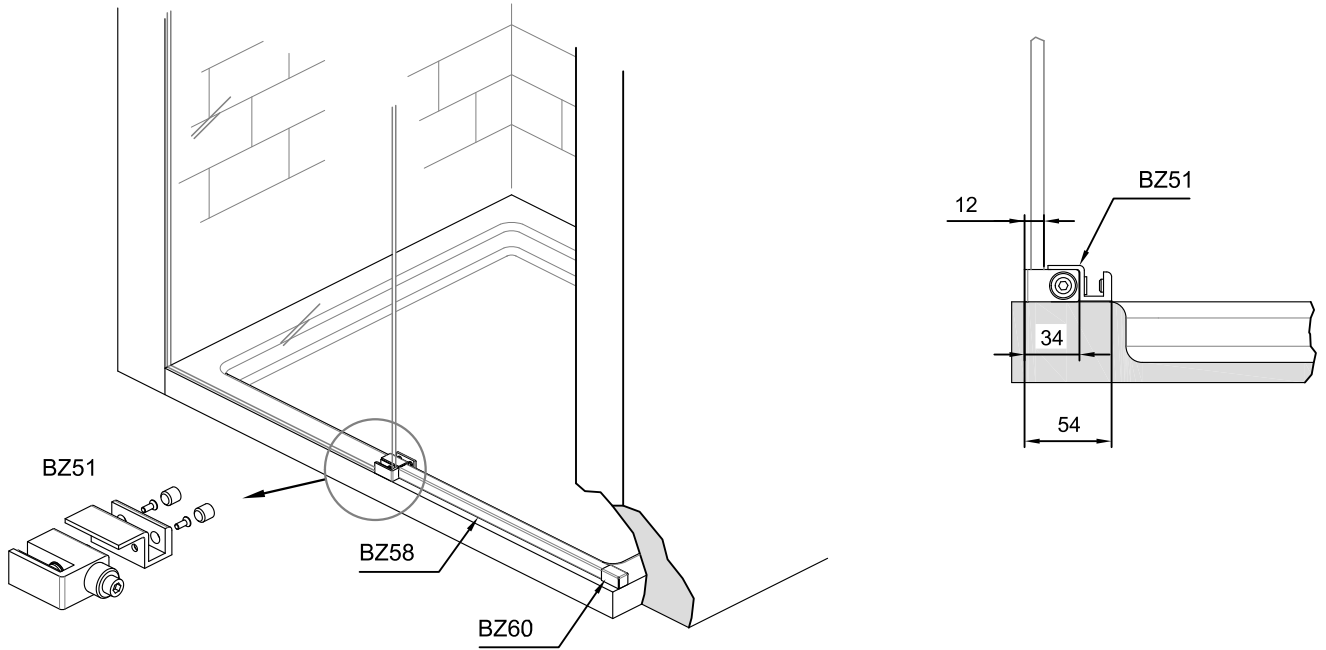
1

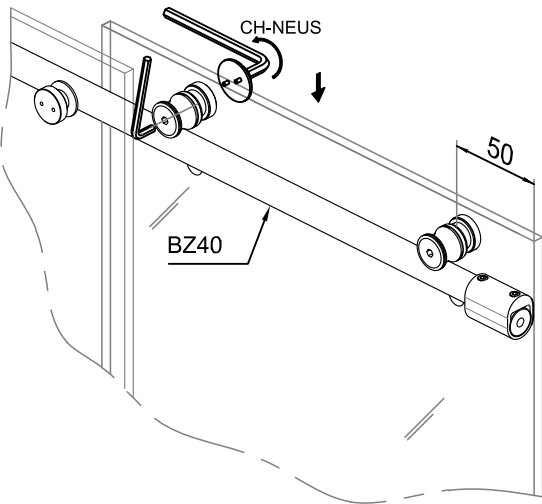
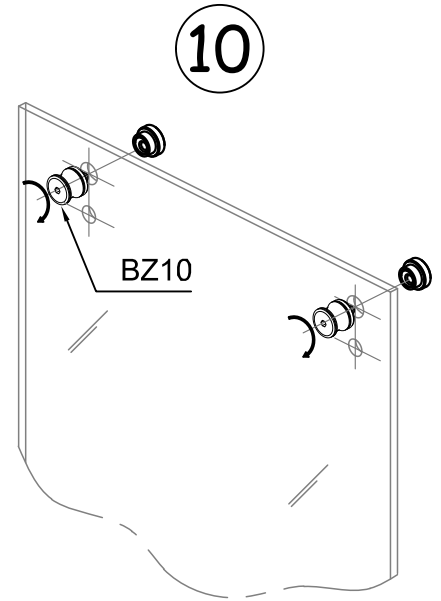
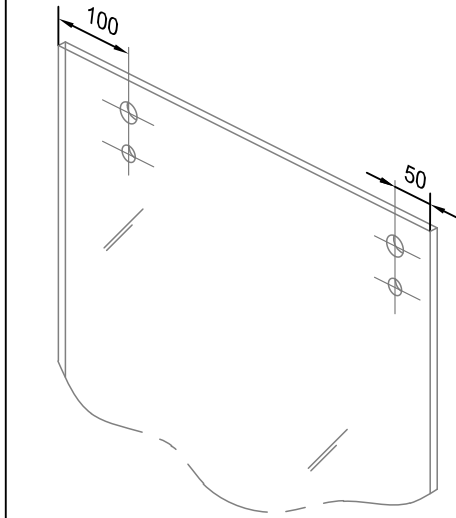
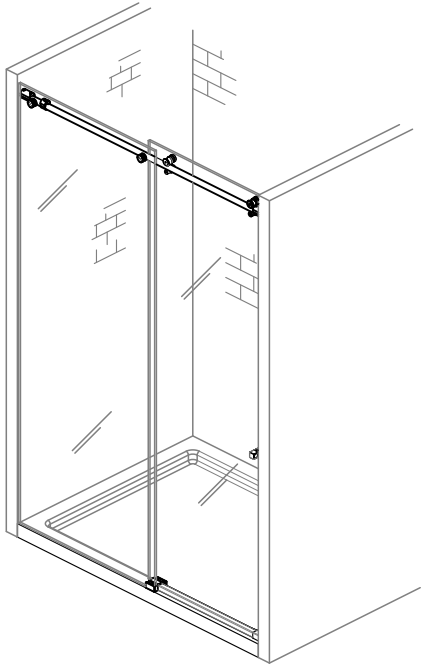


<p>n x</p>	<p>optional 8P08</p>	<p>1A</p>	<p>8P08</p>
------------	----------------------	-----------	-------------

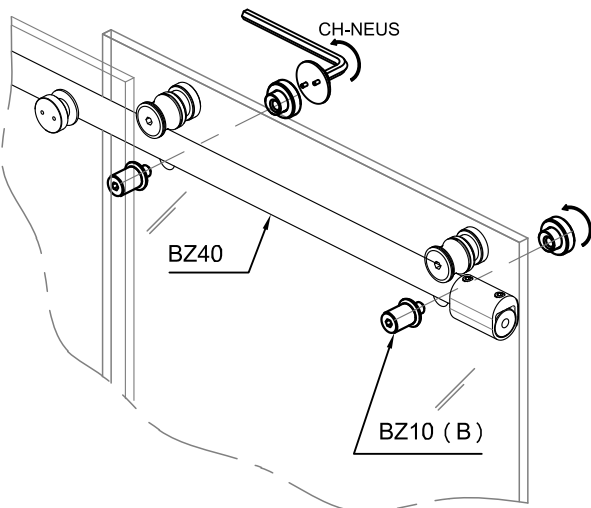
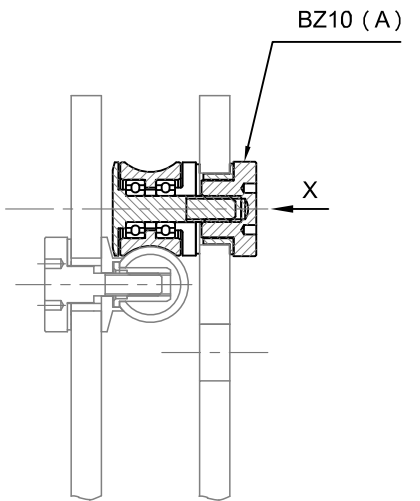
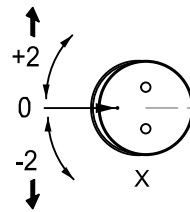
<p>2 x</p>	<p>optional 4428</p>	<p>1B</p>	<p>4428</p>
------------	----------------------	-----------	-------------



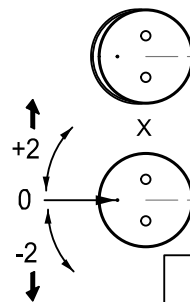




11

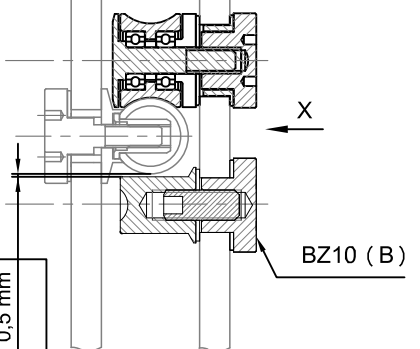


12



8 26 8

~ 0,5 mm



13

