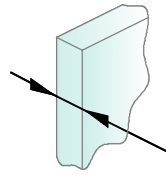
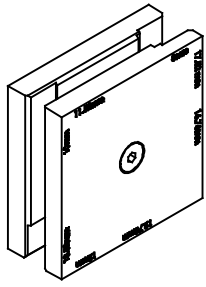
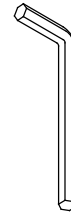


Tools required

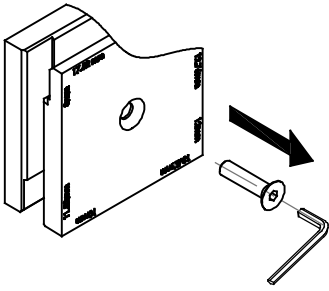


8 - 17.52

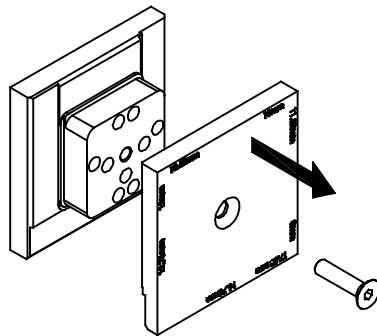
GLASS



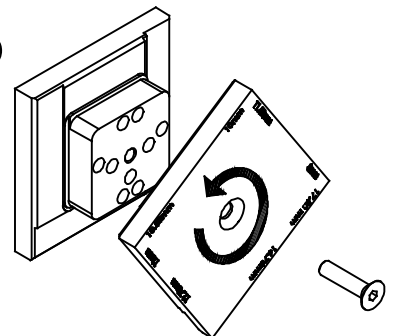
1



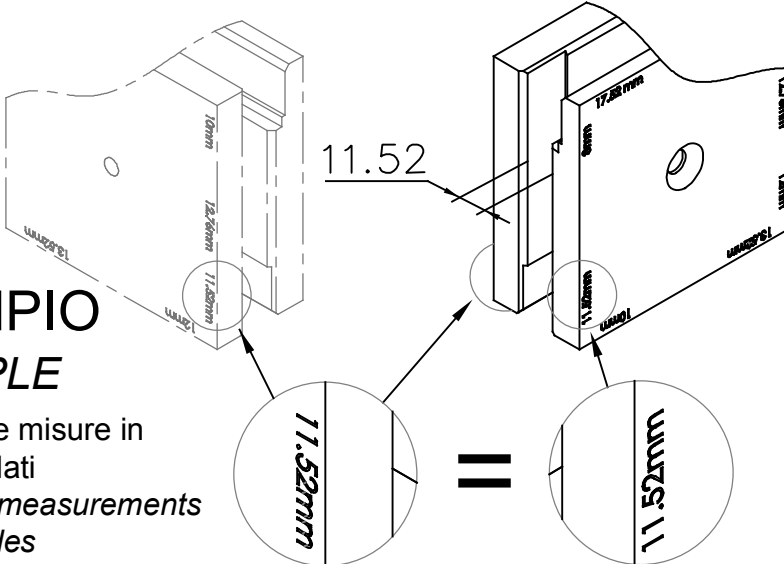
2



3



4



ESEMPIO
EXAMPLE

Abbinare le misure in entrambi i lati
Match the measurements on both sides

5

