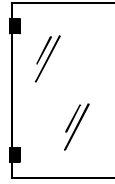
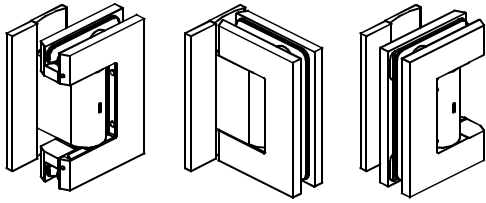
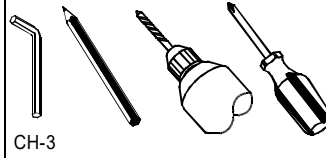


BILOBA

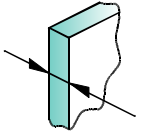
8911SOL



Tools Required
Strumenti Richiesti
Benötigtes Werkzeug

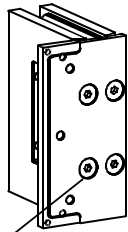


Fittings required
Fissaggi richiesti
Benötigtes Befestigungsmaterial



8 ÷ 13.52

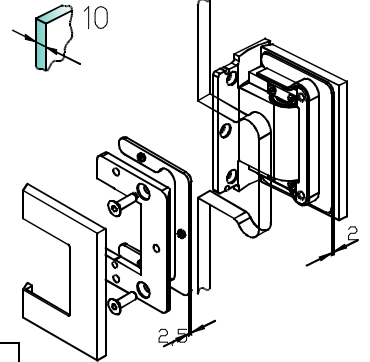
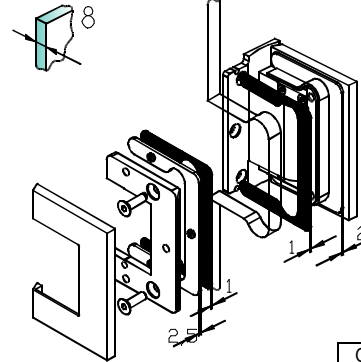
GLASS
VETRO
GLAS



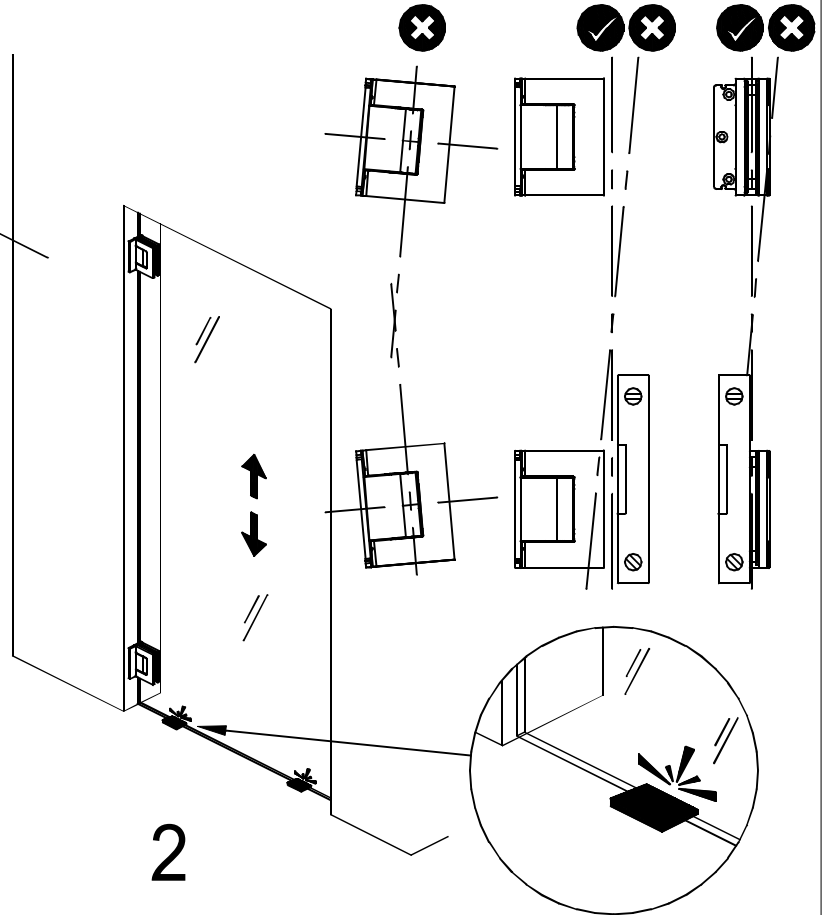
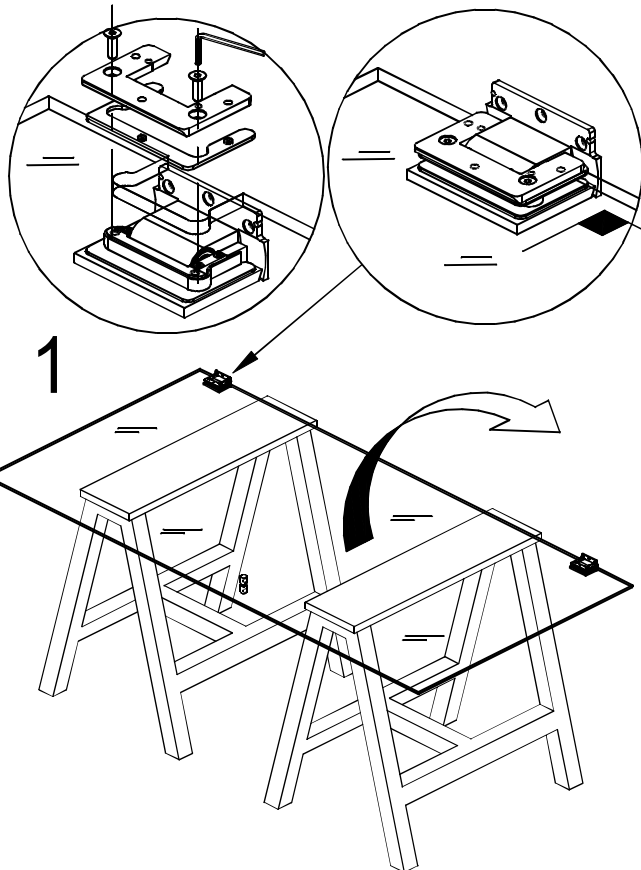
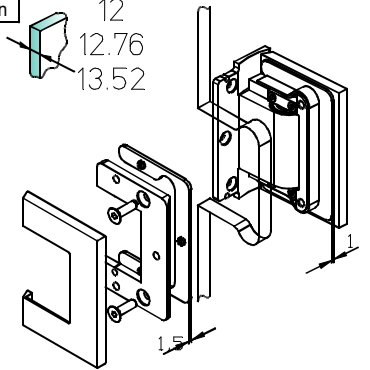
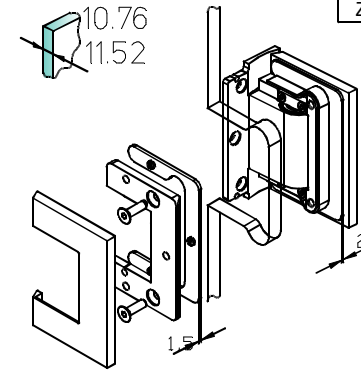
Queste viti sono serrate a 10Nm dalla fabbrica, e' vietato svitarle o allentarle



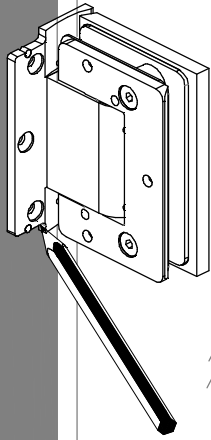
These screws are tightened at 10 Nm from the factory, it is forbidden to unscrew or loosen them



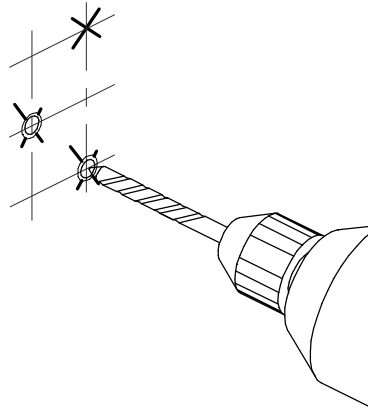
Gasket
Guarnizioni
Zwischenlagen



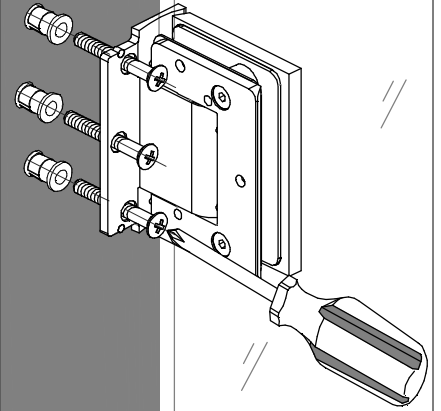
3



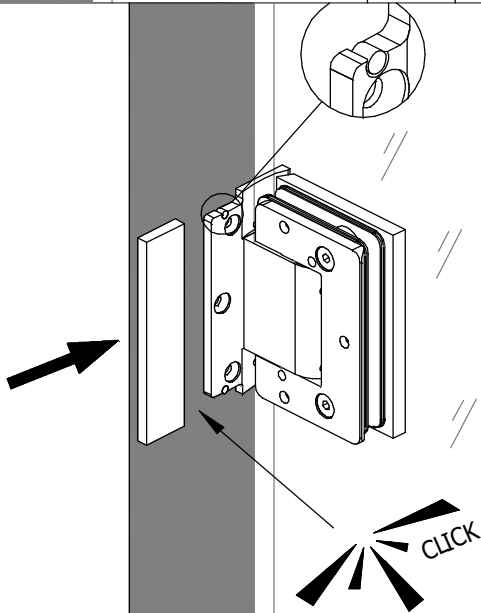
4



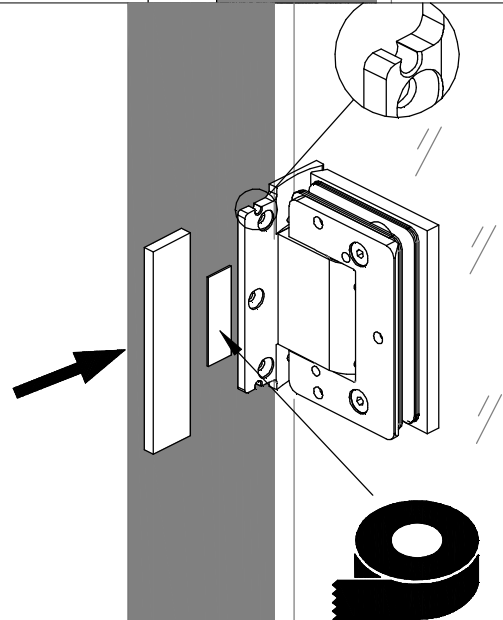
5



6a



6b



7

