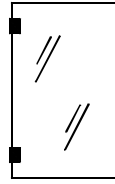
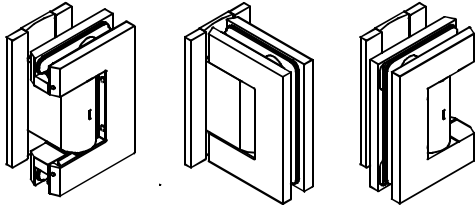


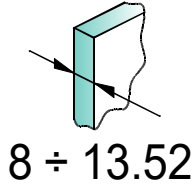
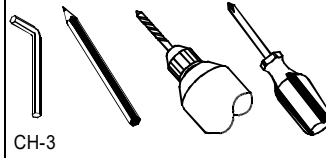
BILOBA

8910SOL



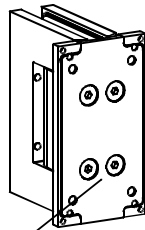
Tools Required
Strumenti Richiesti
Benötigtes Werkzeug

Fittings required
Fissaggi richiesti
Benötigtes Befestigungsmaterial



8 ÷ 13.52

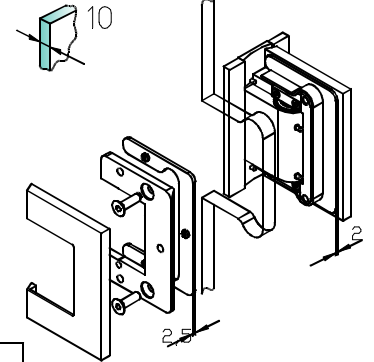
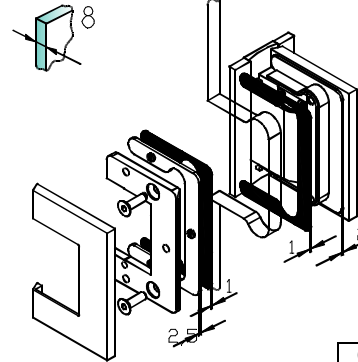
GLASS
VETRO
GLAS



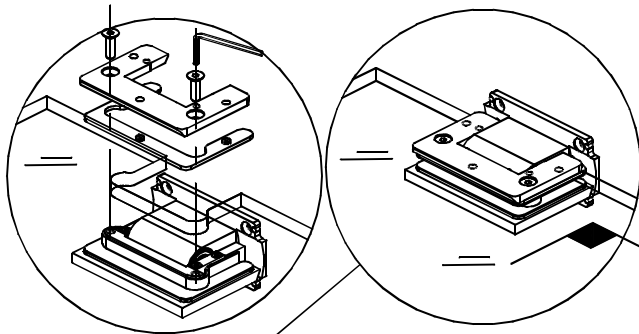
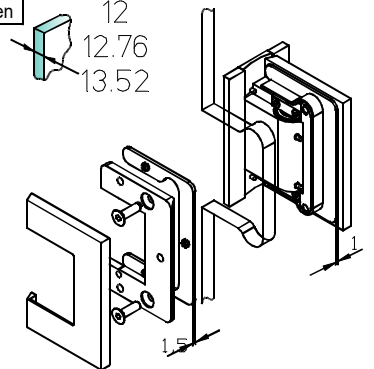
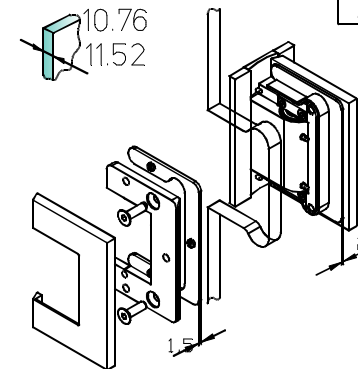
Queste viti sono serrate a 10Nm dalla fabbrica,
e' vietato svitarle o allentarle



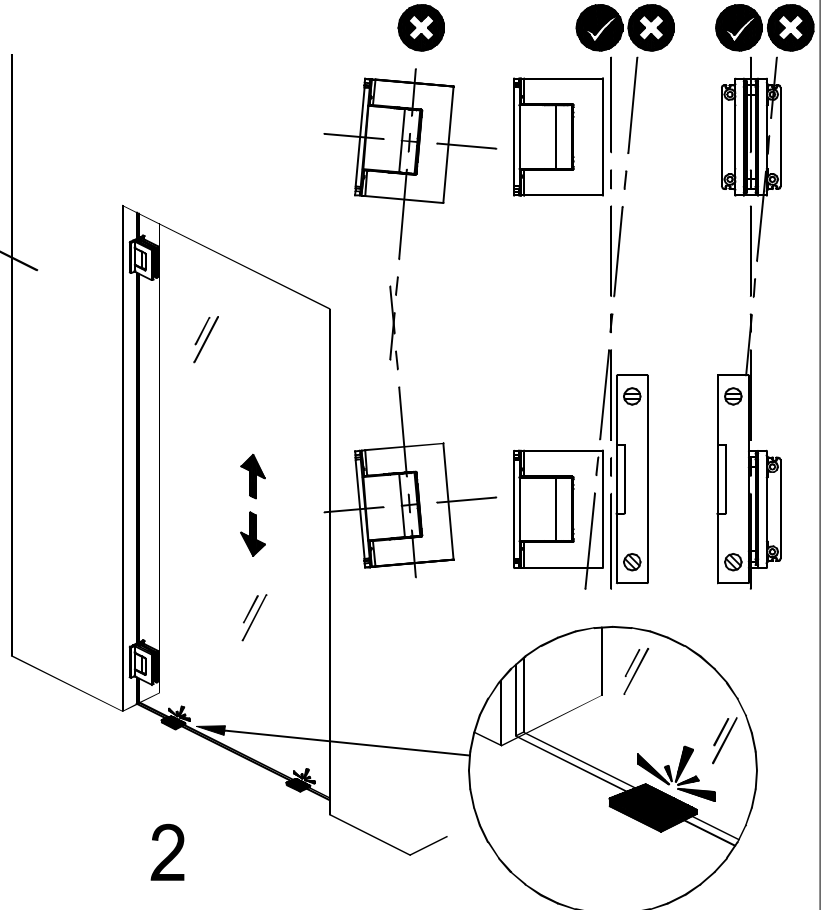
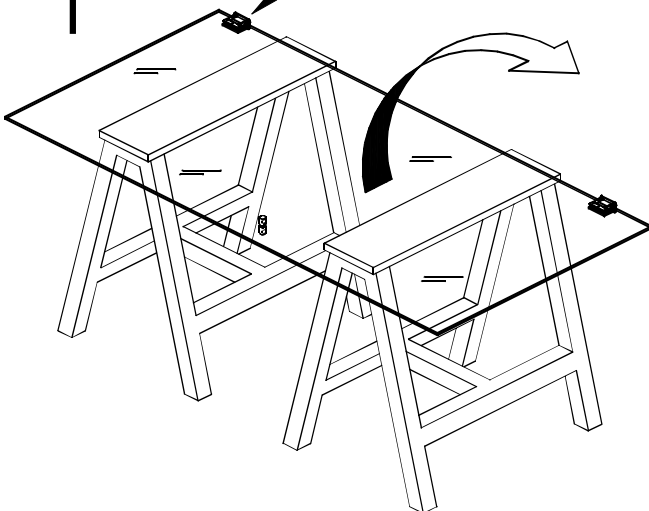
These screws are tightened at 10 Nm from the factory,
it is forbidden to unscrew or loosen them



Gasket
Guarnizioni
Zwischenlagen

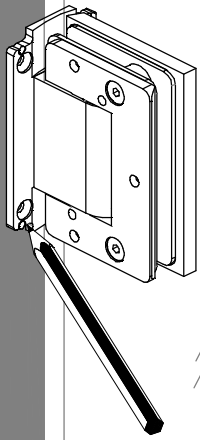


1

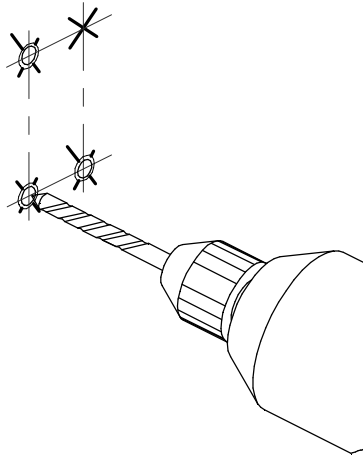


2

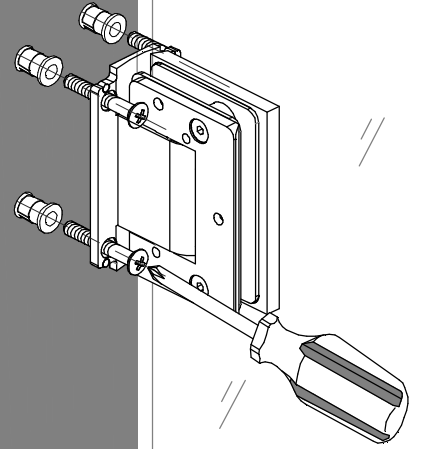
3



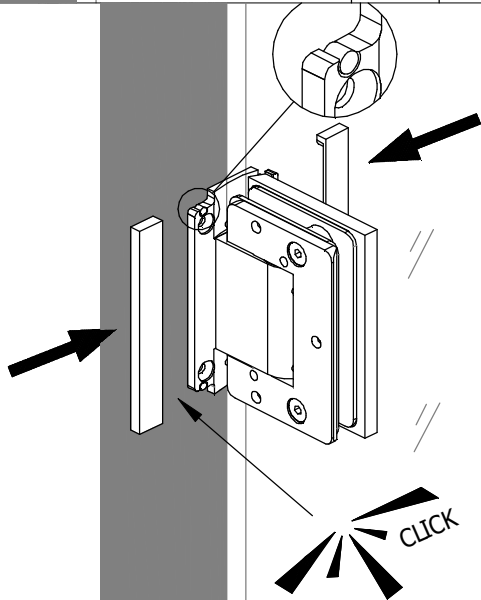
4



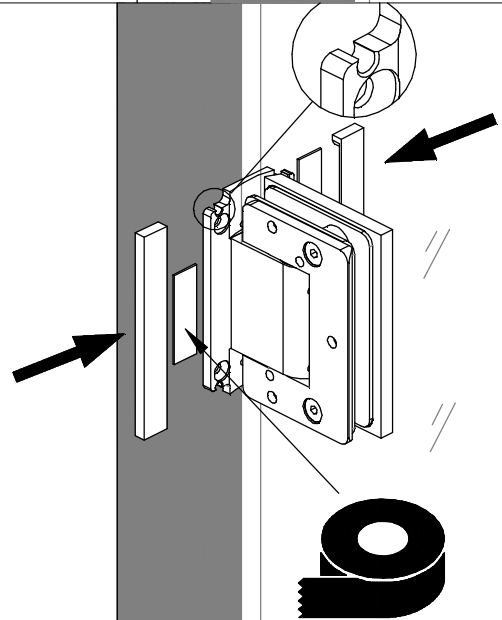
5



6a



6b



7

