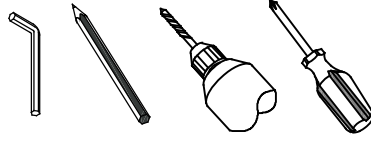


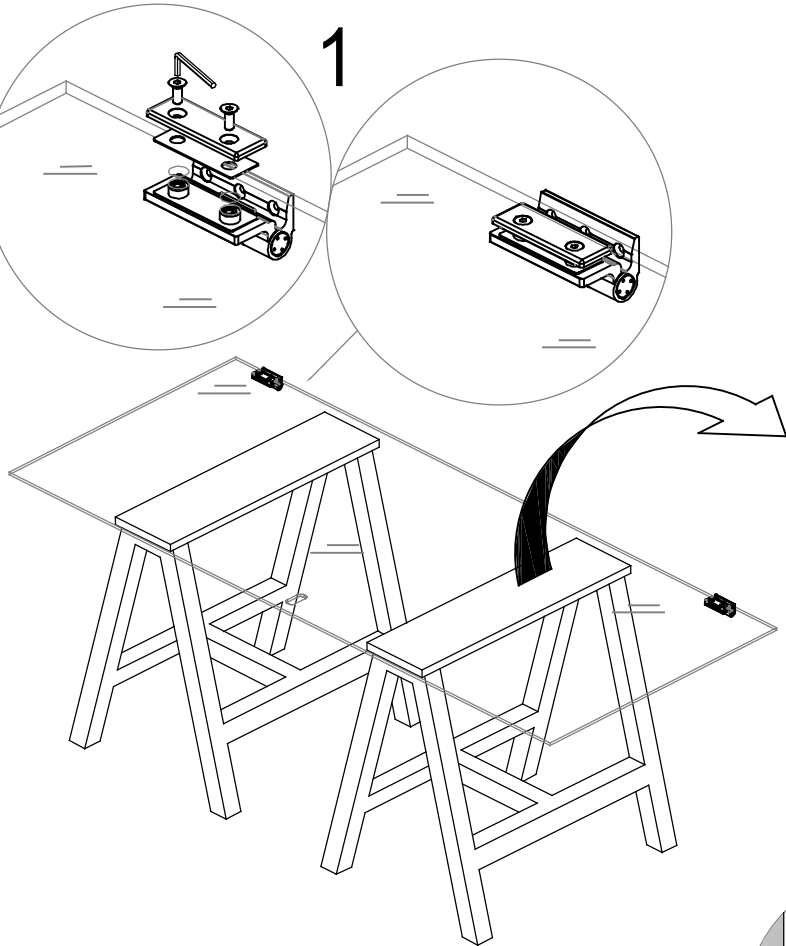
Tools required



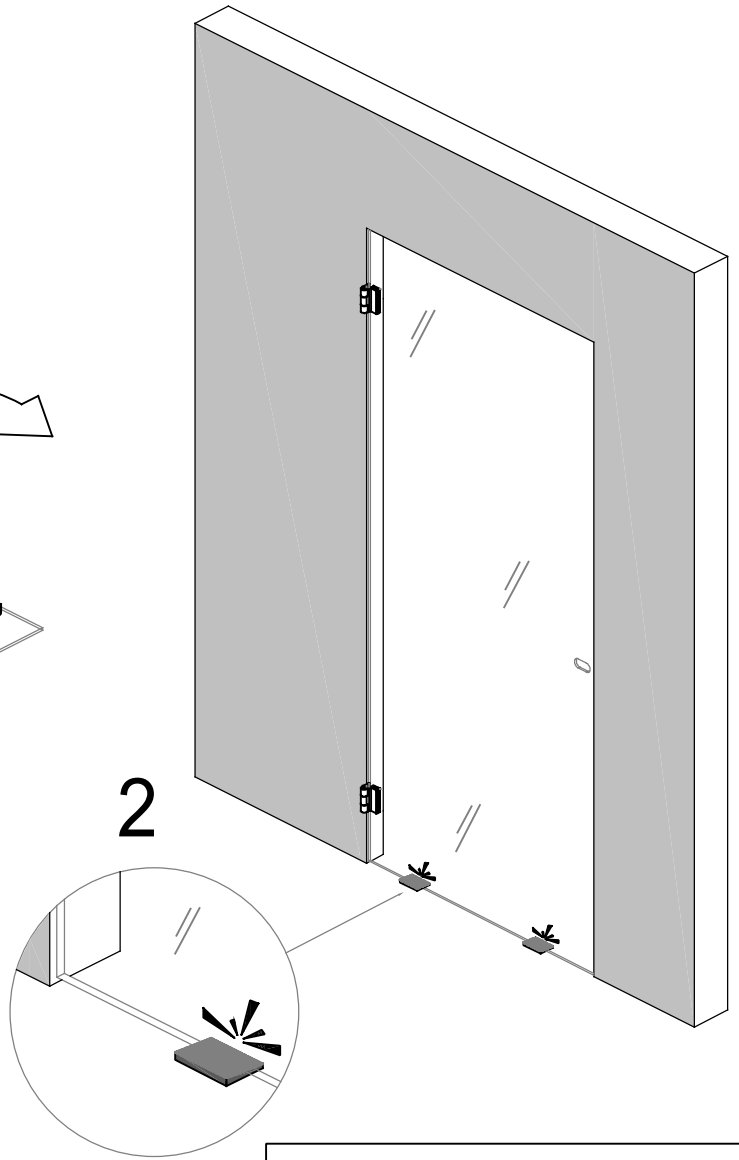
Fittings required



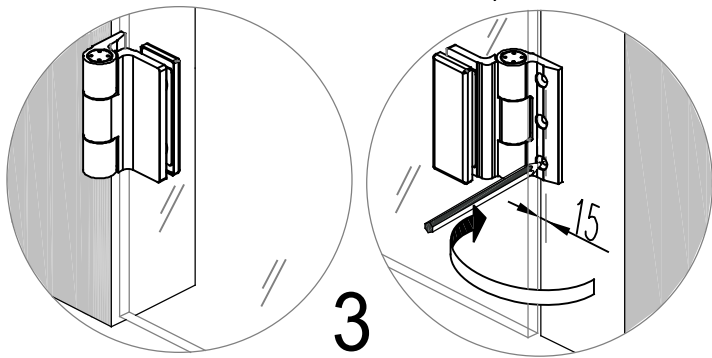
1



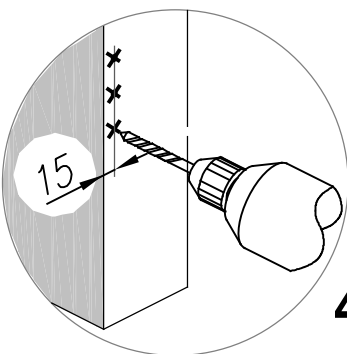
2



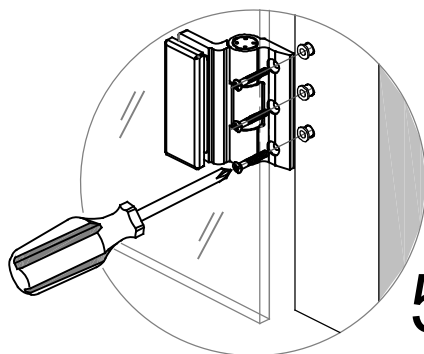
3



4



5



6

