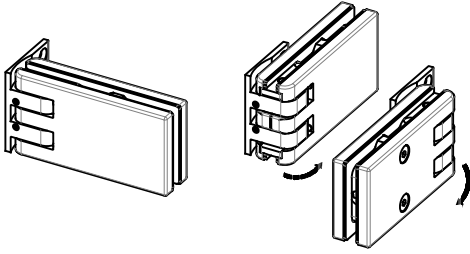
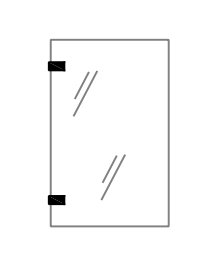
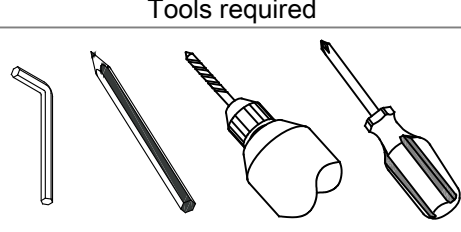
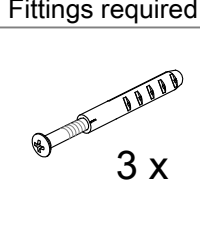
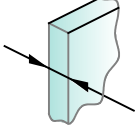
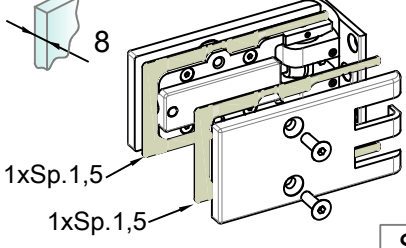
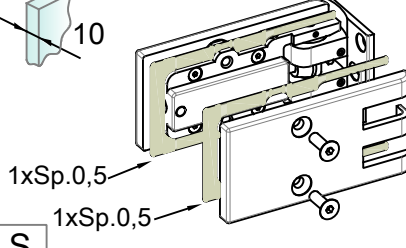


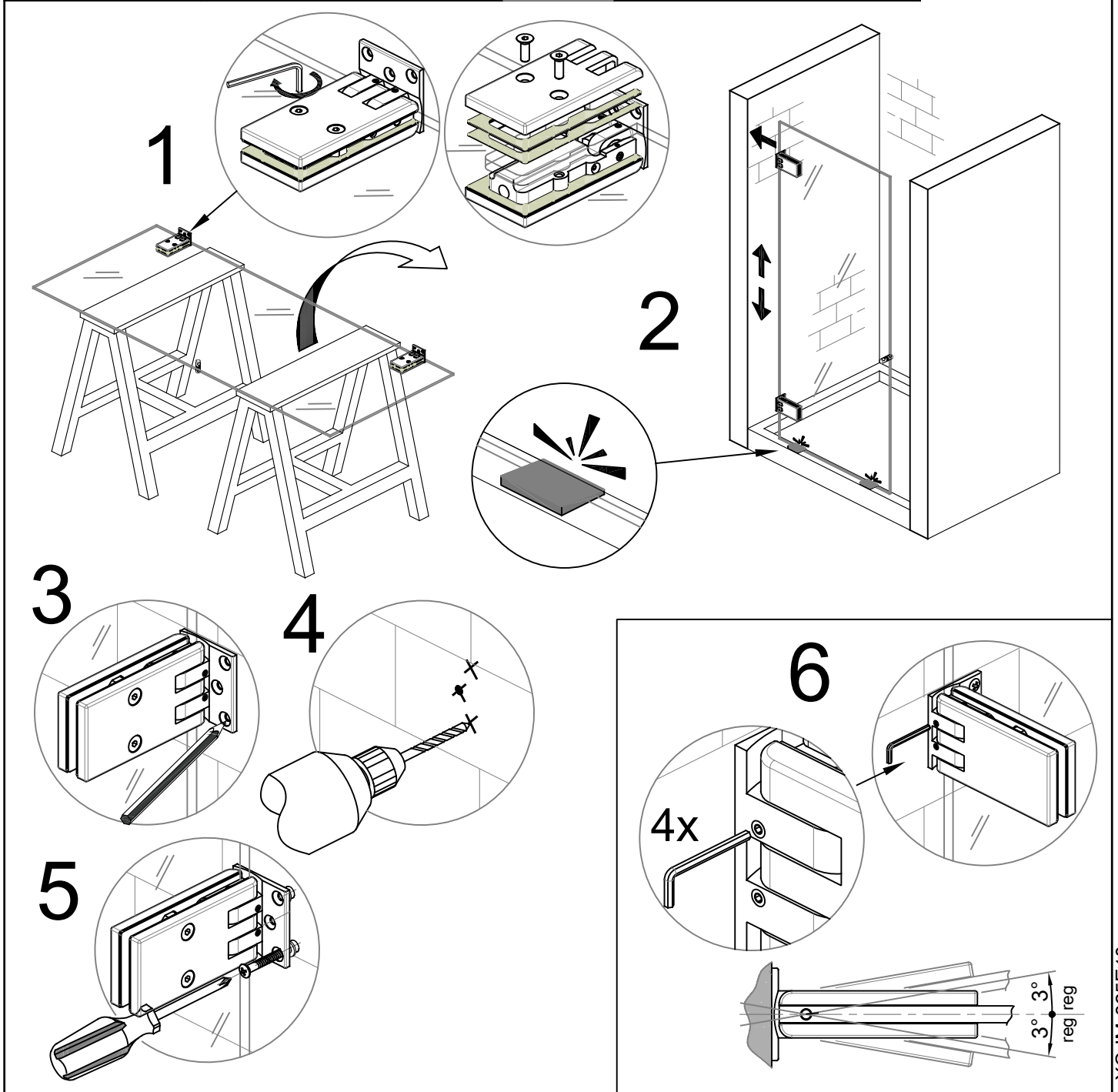
BOX DOCCIA

Bilobina

825E10

		Tools required 	Fittings required  3 x
--	---	---	--

 8/10 GLASS	 8 1xSp.1,5 1xSp.1,5 SEALS	 10 1xSp.0,5 1xSp.0,5	
--	---	--	--



1 Preparation of the frame on a workbench.

2 Installation of the glass pane into the frame, ensuring proper alignment and sealing.

3 Detail view of the glass being inserted into the frame.

4 Detail view of the door being pushed into the frame.

5 Detail view of the door being secured with a screw.

6 Final assembly step showing the door being fully installed and secured with 4 screws (4x).

Dimensions: 3° 3° reg