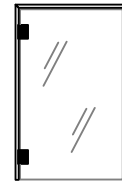
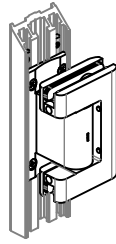
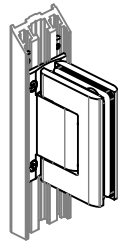
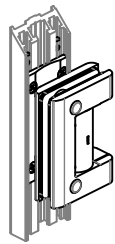
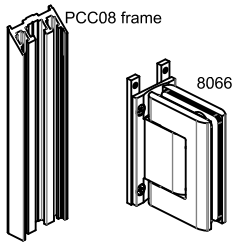


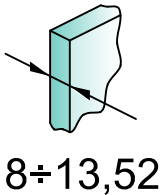
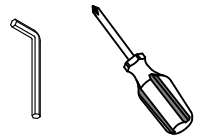
# INNER DOORS

# BILOBA

# 8066

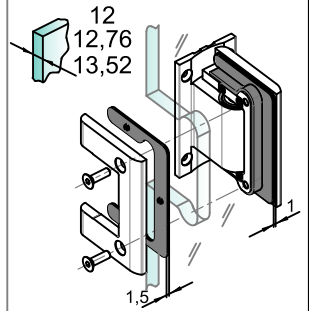
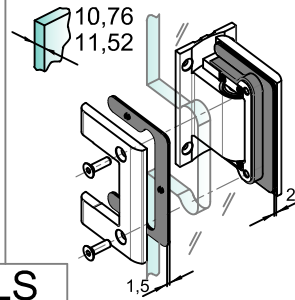
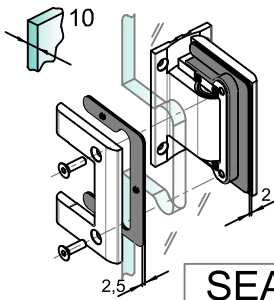
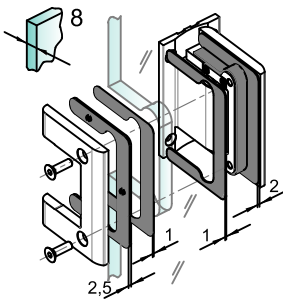


## Tools required



8÷13,52

GLASS

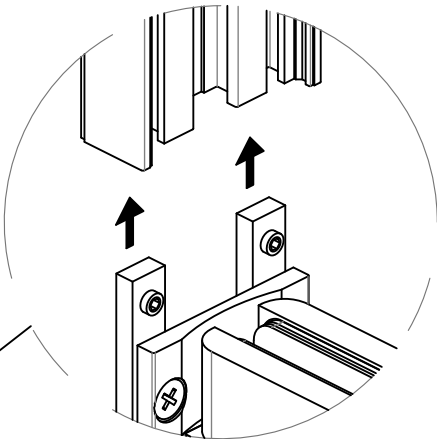
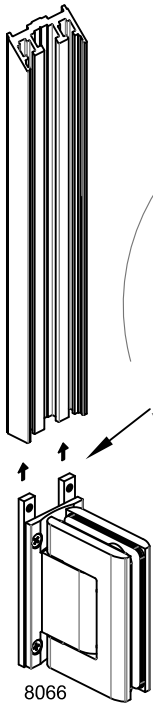


SEALS

# 1

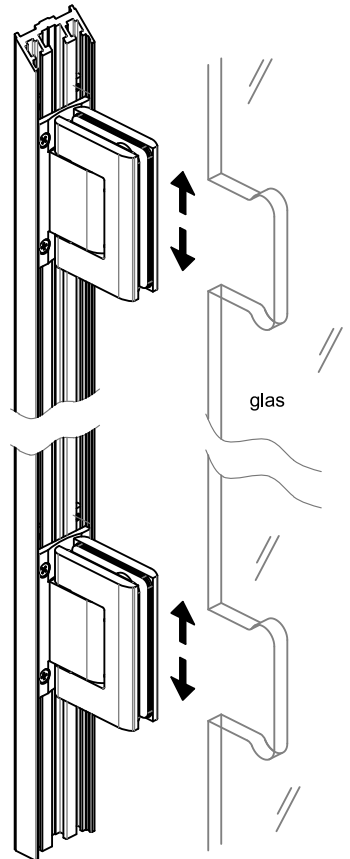
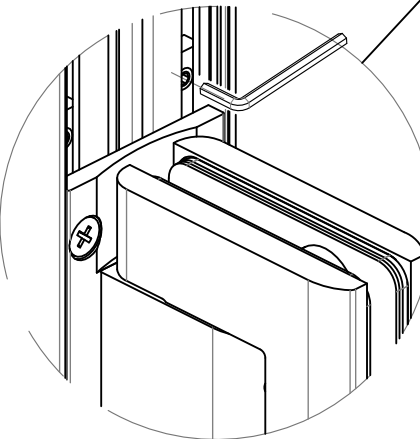
INSERT THE HINGES  
INTO THE FRAME

PCC08 frame



# 2

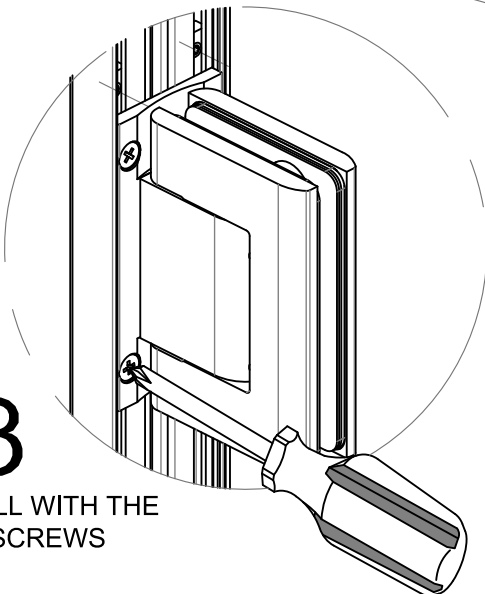
ADJUST THE DISTANCE AND  
TIGHTEN THE TWO SCREWS

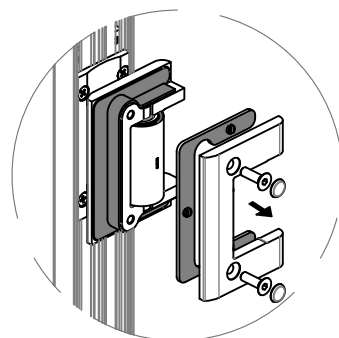
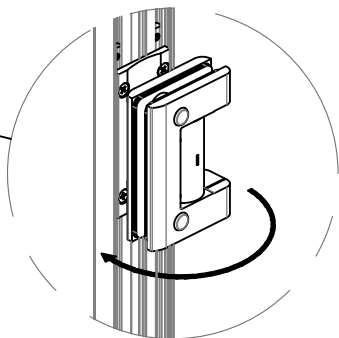
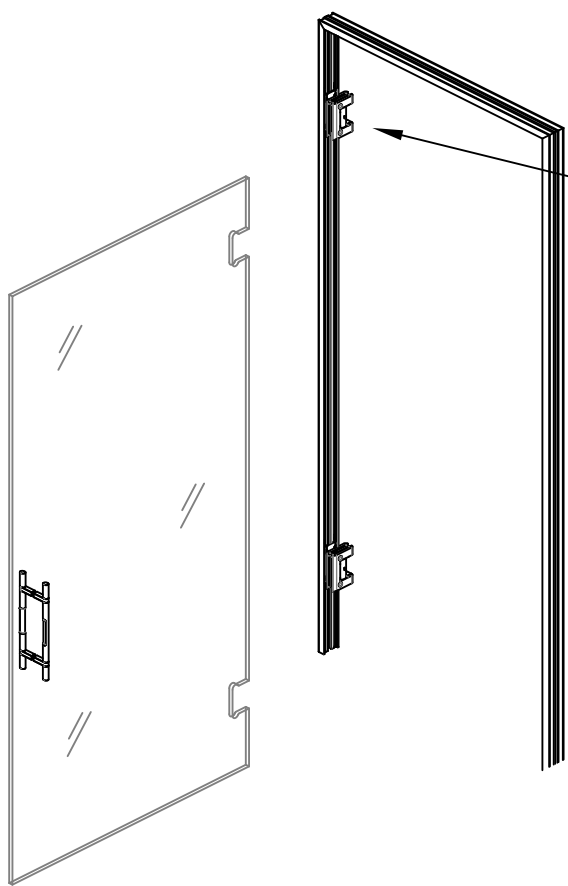


glas

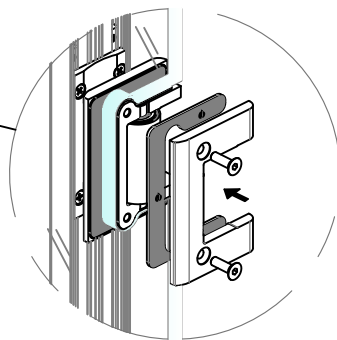
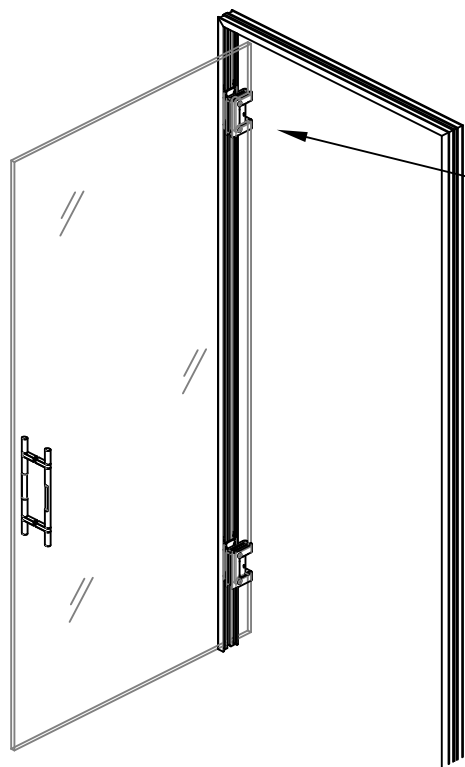
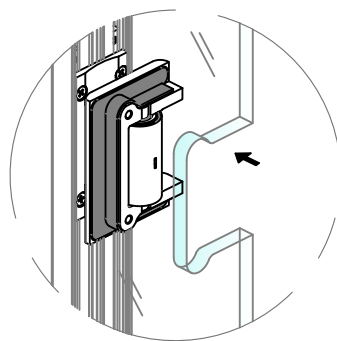
# 3

BLOCK WELL WITH THE  
FOUR SCREWS

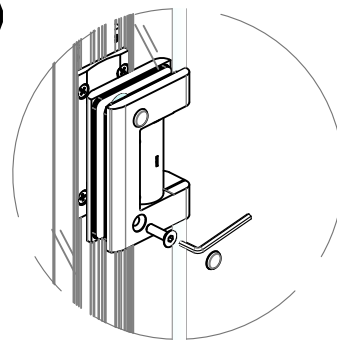




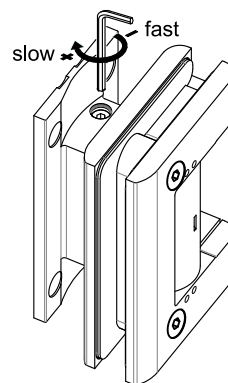
4



5



ONLY FOR HYDRAULIC HINGE  
NOT FOR SOL VERSION



closing speed adjusting