

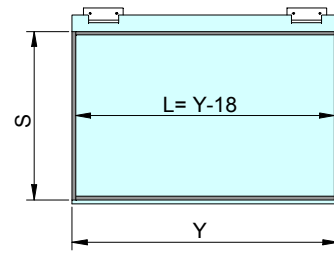


We Build the Invisible FLUIDO 70-110 FRAME

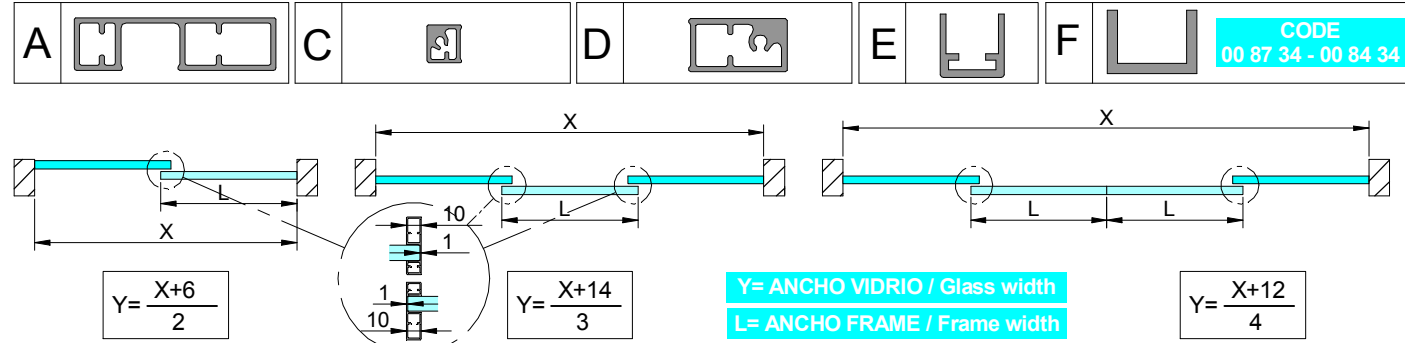
JUNE 2019
038060706

COMPONENTES / Components

X		1
V		1

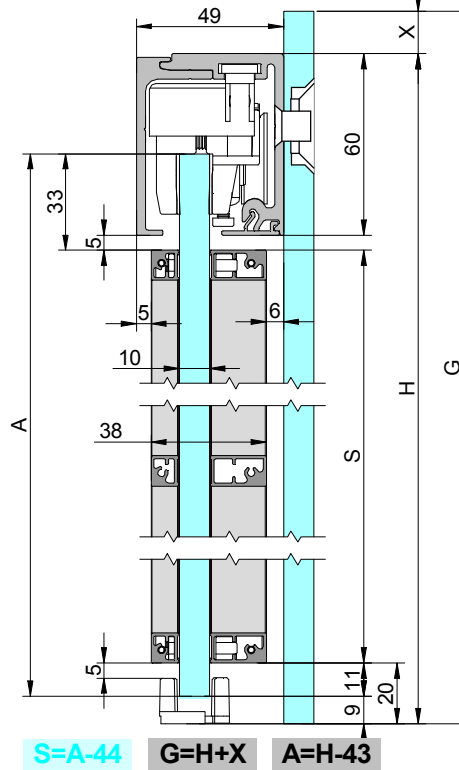
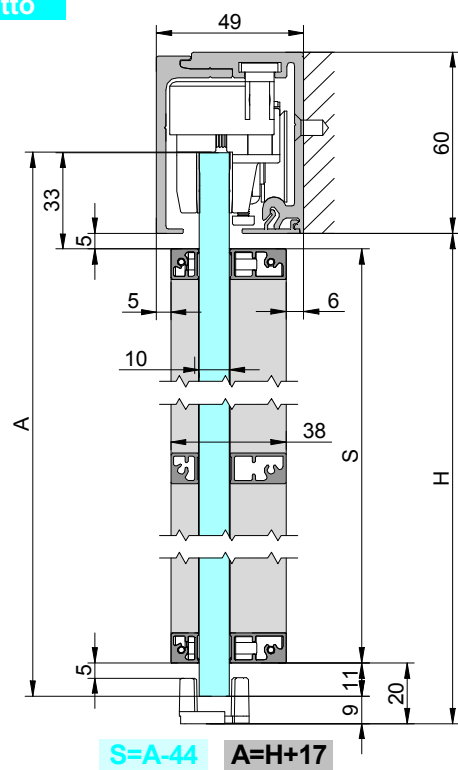
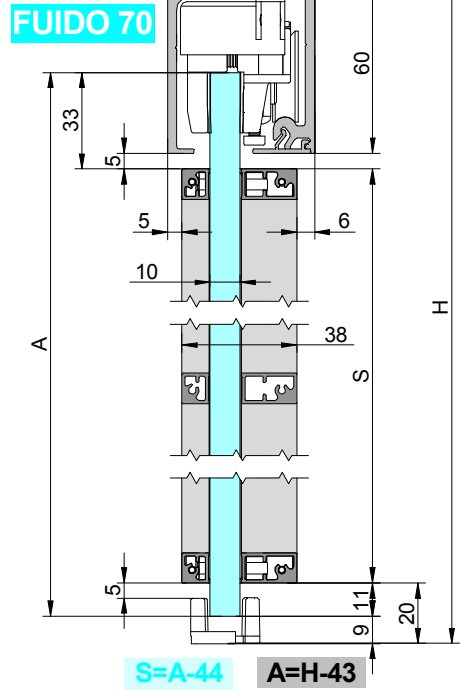


PERFILERIA / Profiles

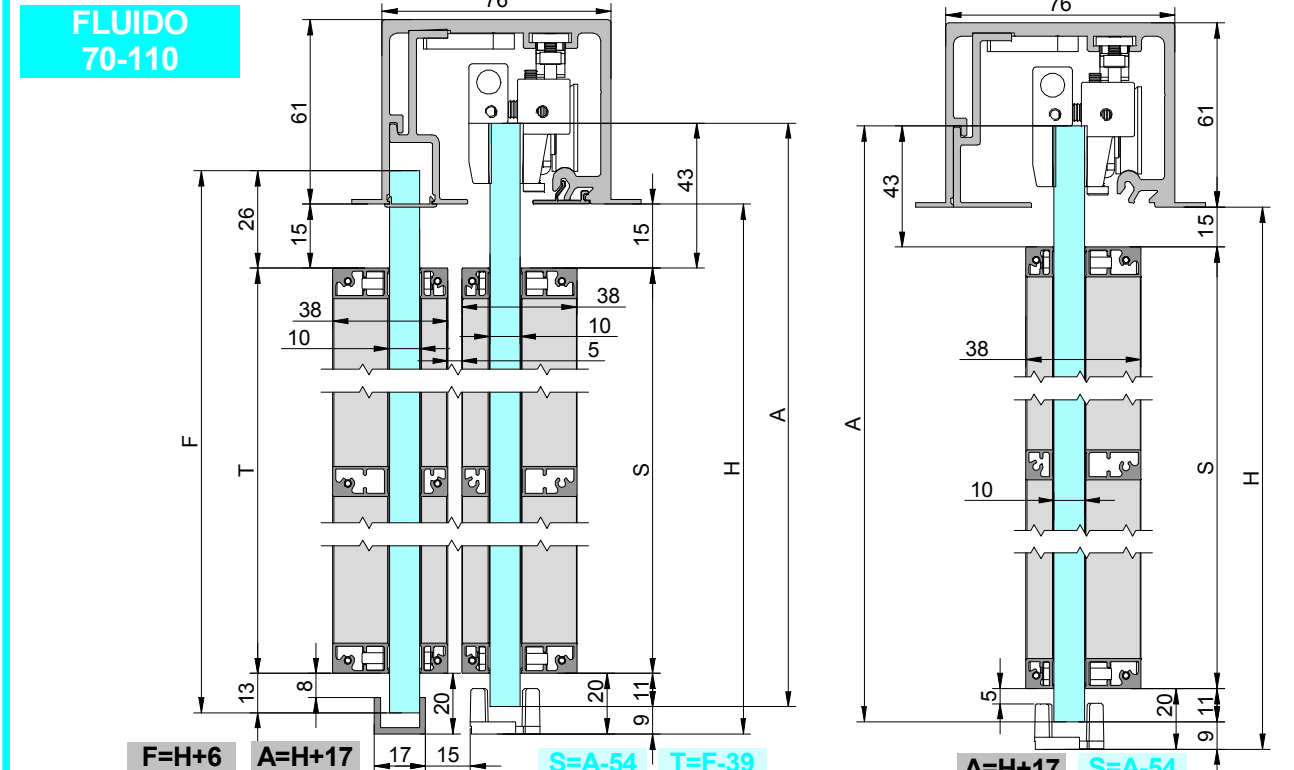


CODE
00 87 34 - 00 84 34

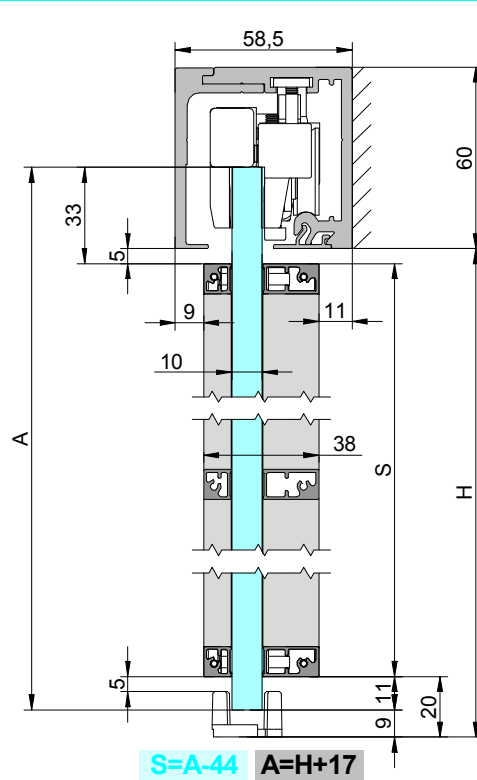
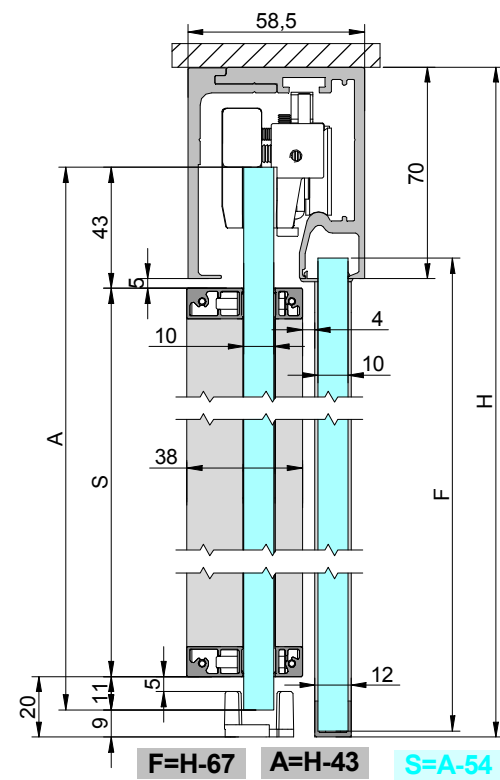
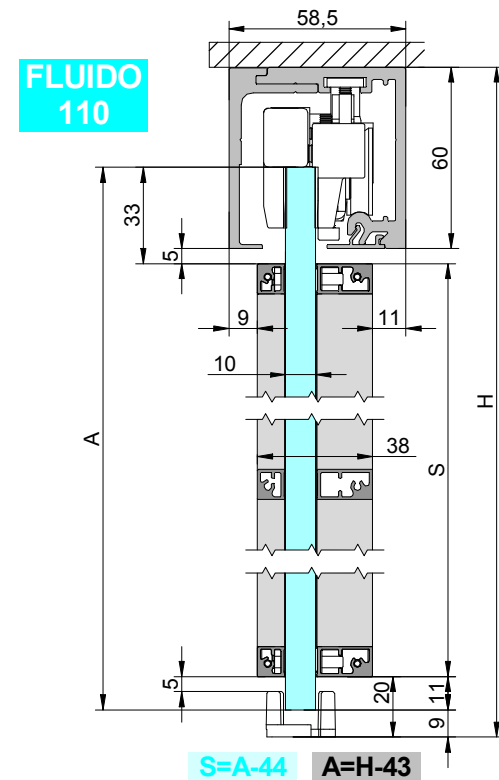
MONTAGE A TECHO / Ceiling mount / Assemblage a plafond / Montaggio a soffitto



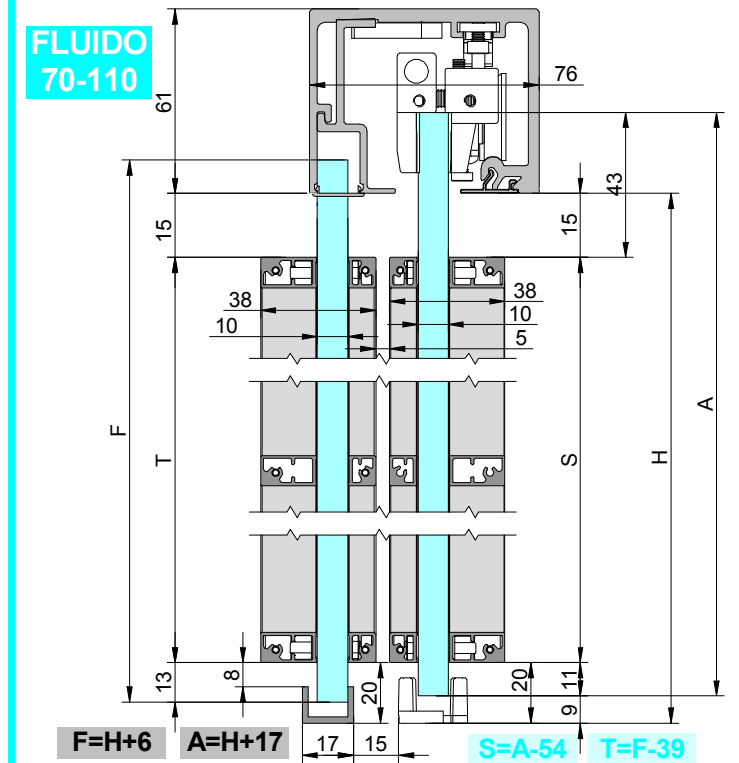
MONTAJE A FALSO TECHO / False ceiling mount / Assemblage faux plafond / Montaggio a falso soffitto



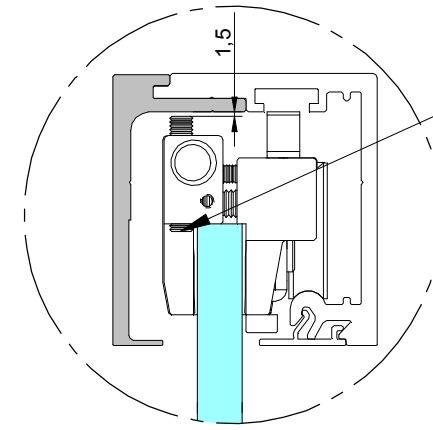
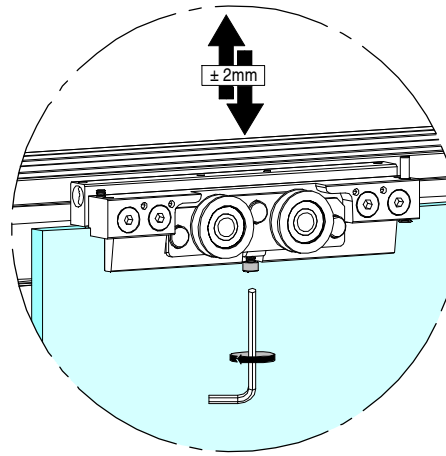
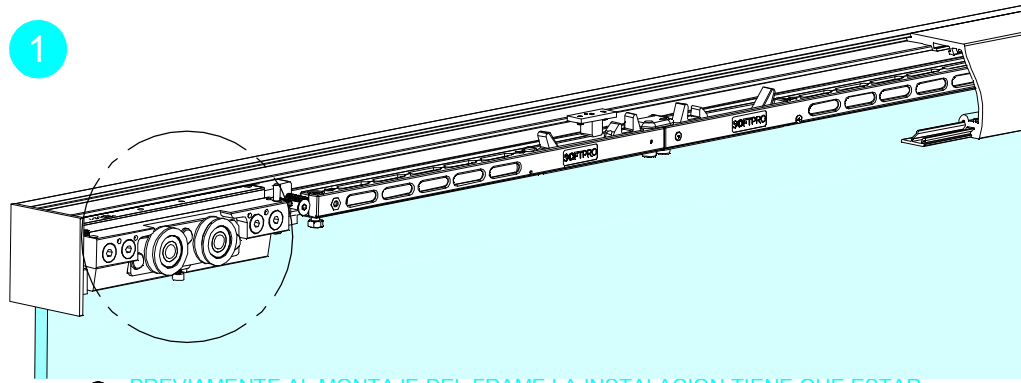
MONTAGE A TECHO / Ceiling mount / Assemblage a plafond / Montaggio a soffitto



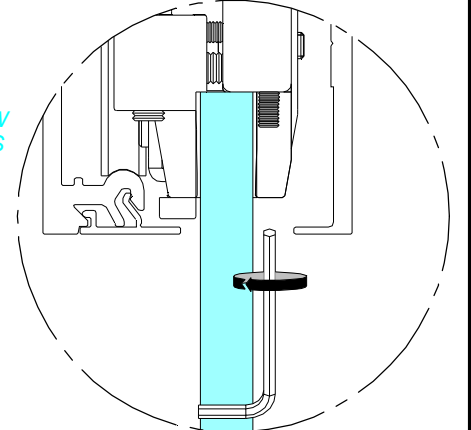
MONTAGE A TECHO / Ceiling mount / Assemblage a plafond / Montaggio a soffitto



1

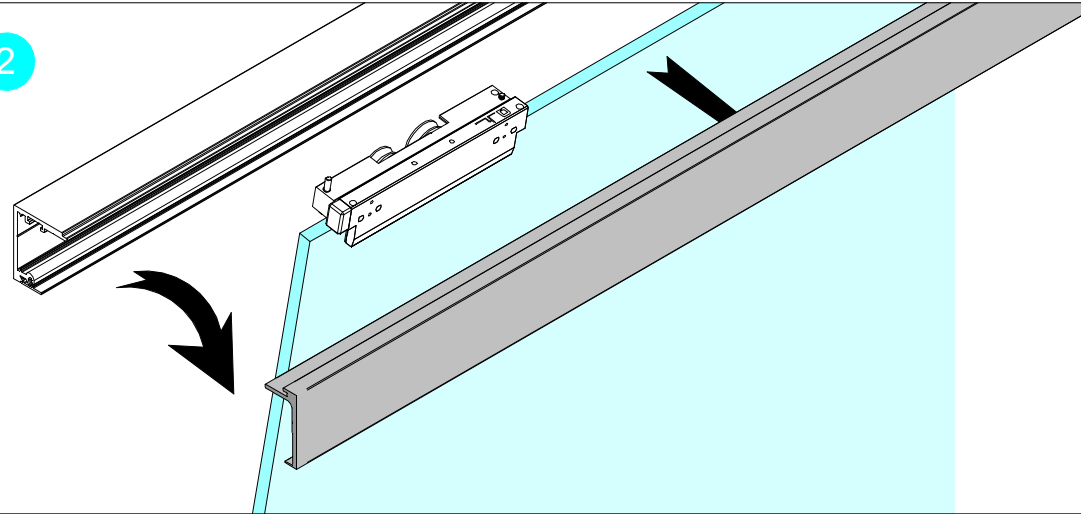


DESENROSCAR EL ANTIDESCARRILAMIENTO DOS VUELTAS UNA VEZ HAGAMOS TOPE EN EL PERFIL / UNSCREW ANTI-DERAILEMENT TWO TURNS ONCE WE MAKE STOP IN THE PROFILE

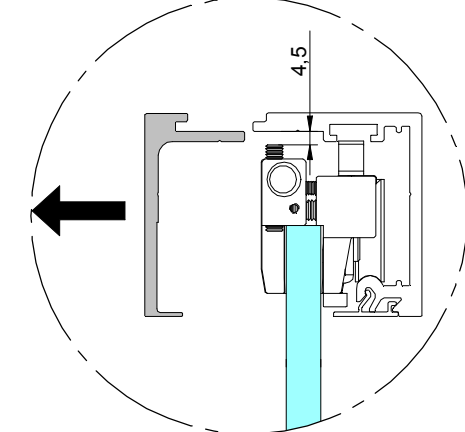
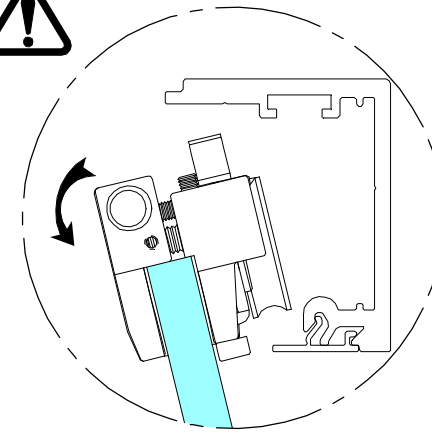


PREVIAMENTE AL MONTAJE DEL FRAME LA INSTALACION TIENE QUE ESTAR REGULADA, TANTO EN ALTURA COMO EL ANTIDESCARRILAMIENTO / PREVIOUSLY TO INSTALL THE FRAME THE INSTALLATION HAS TO BE REGULATED, BOTH AT HEIGHT AND ANTI-DERAILEMENT

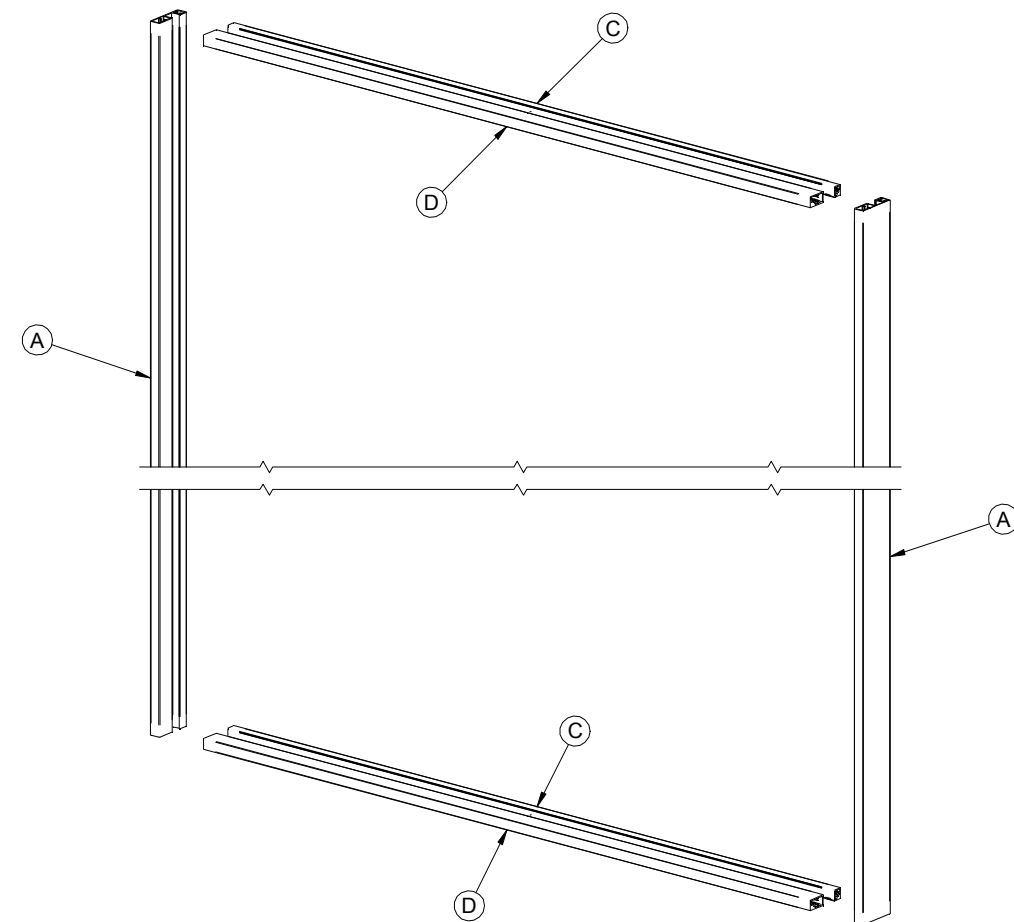
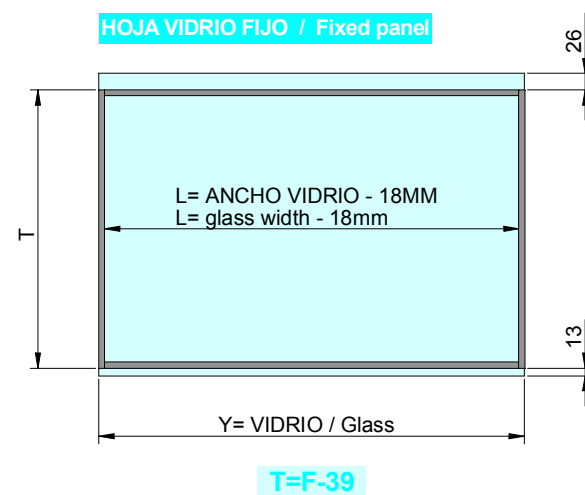
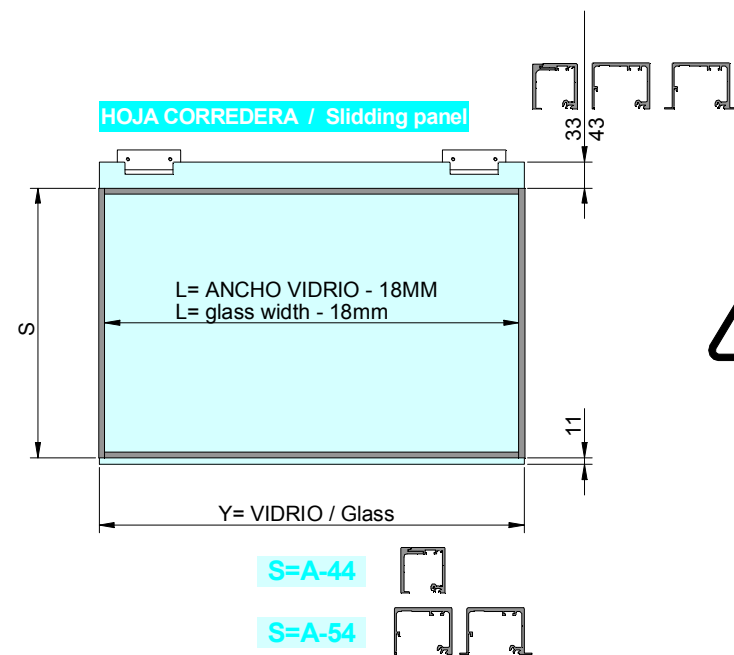
2



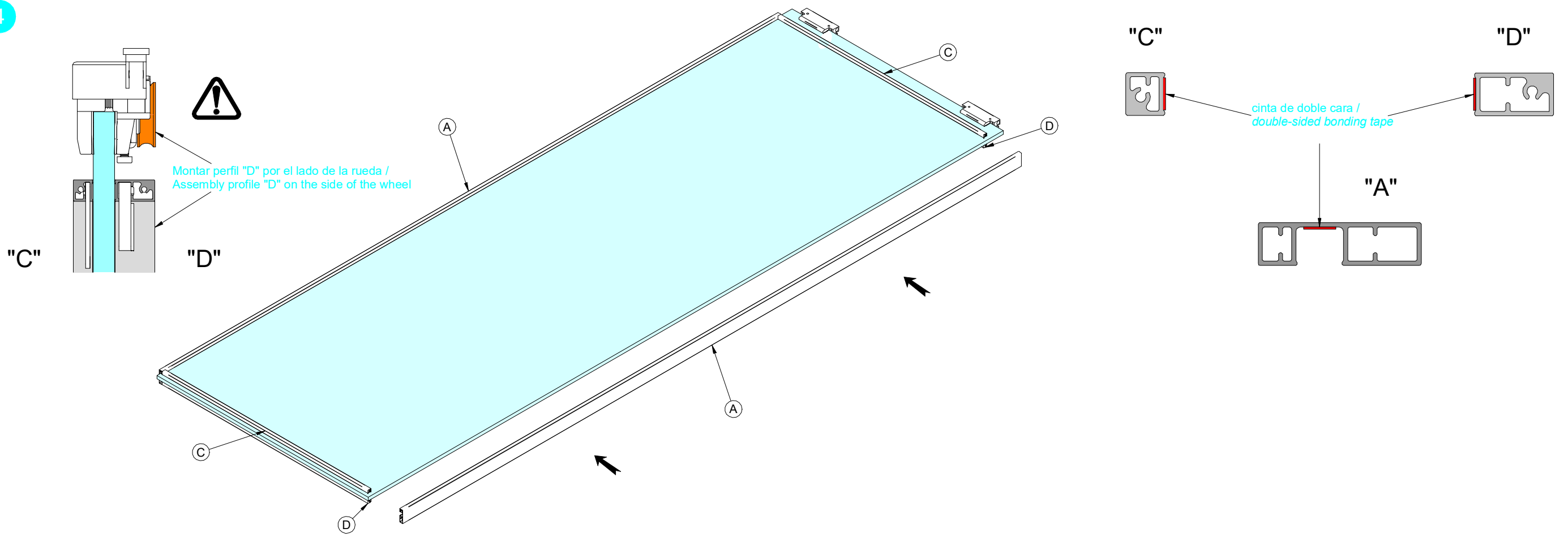
DESMONTAR PERFIL TAPETA Y SACAR PUERTA / REMOVE PROFILE PLATE AND REMOVE DOOR



3

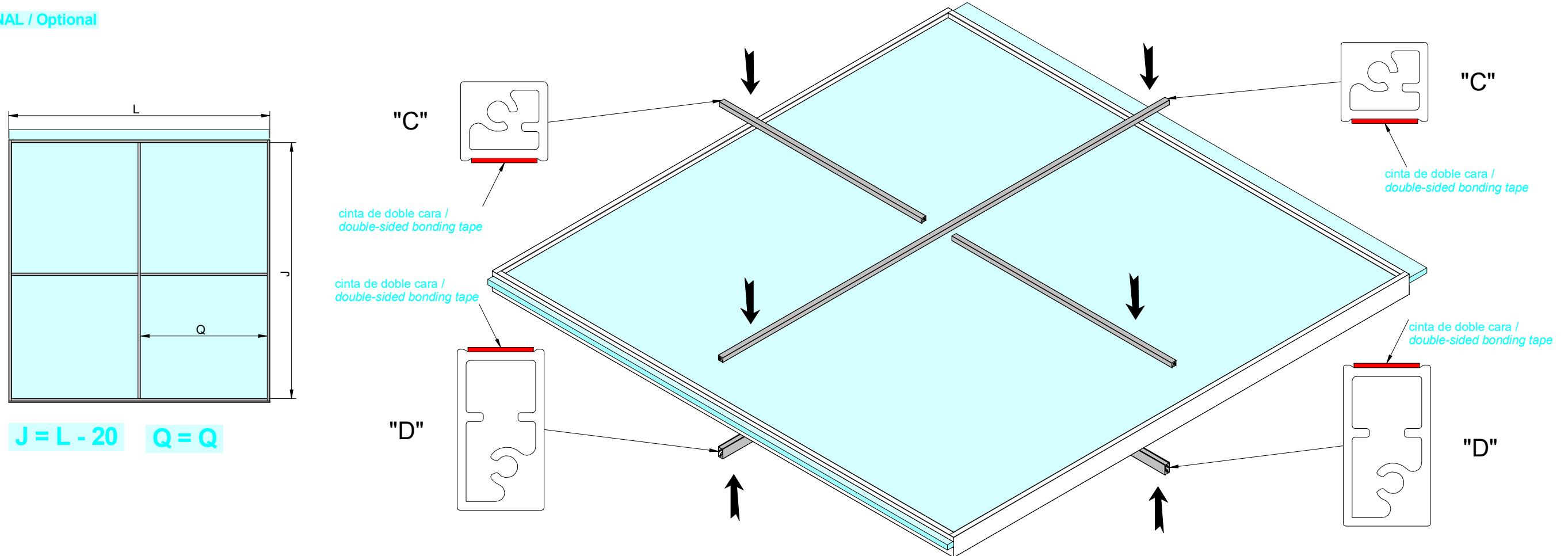


4

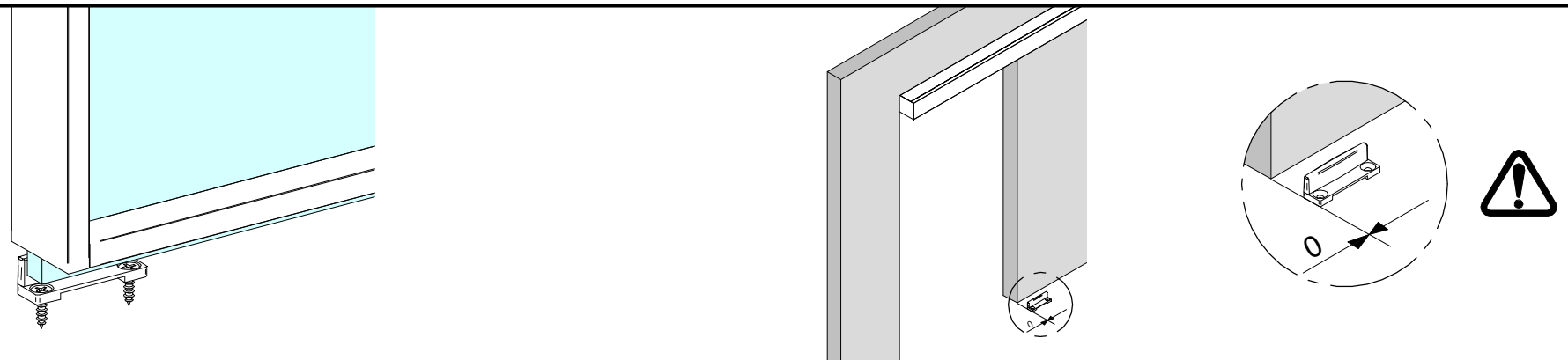


OPCIONAL / Optional

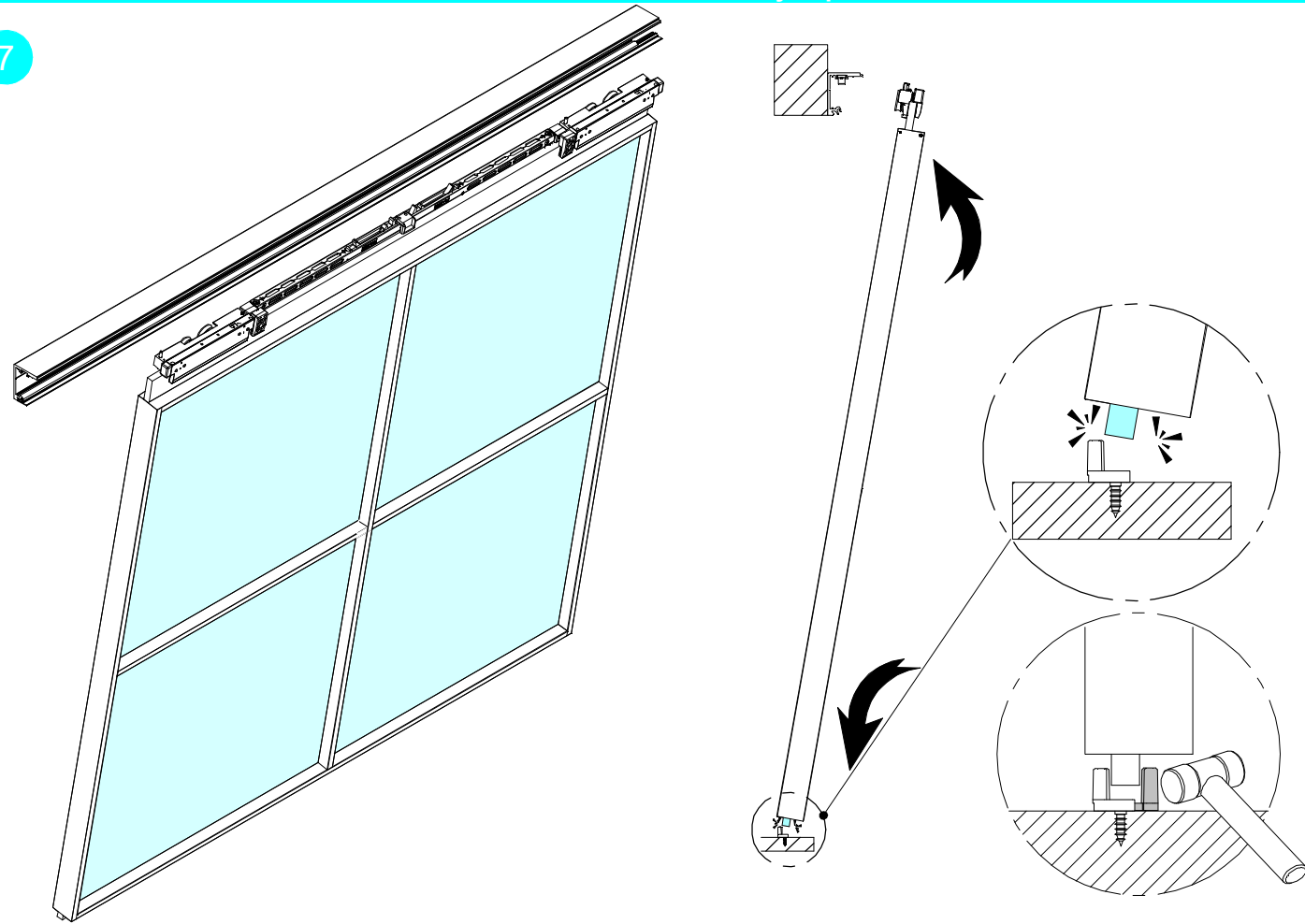
5



6

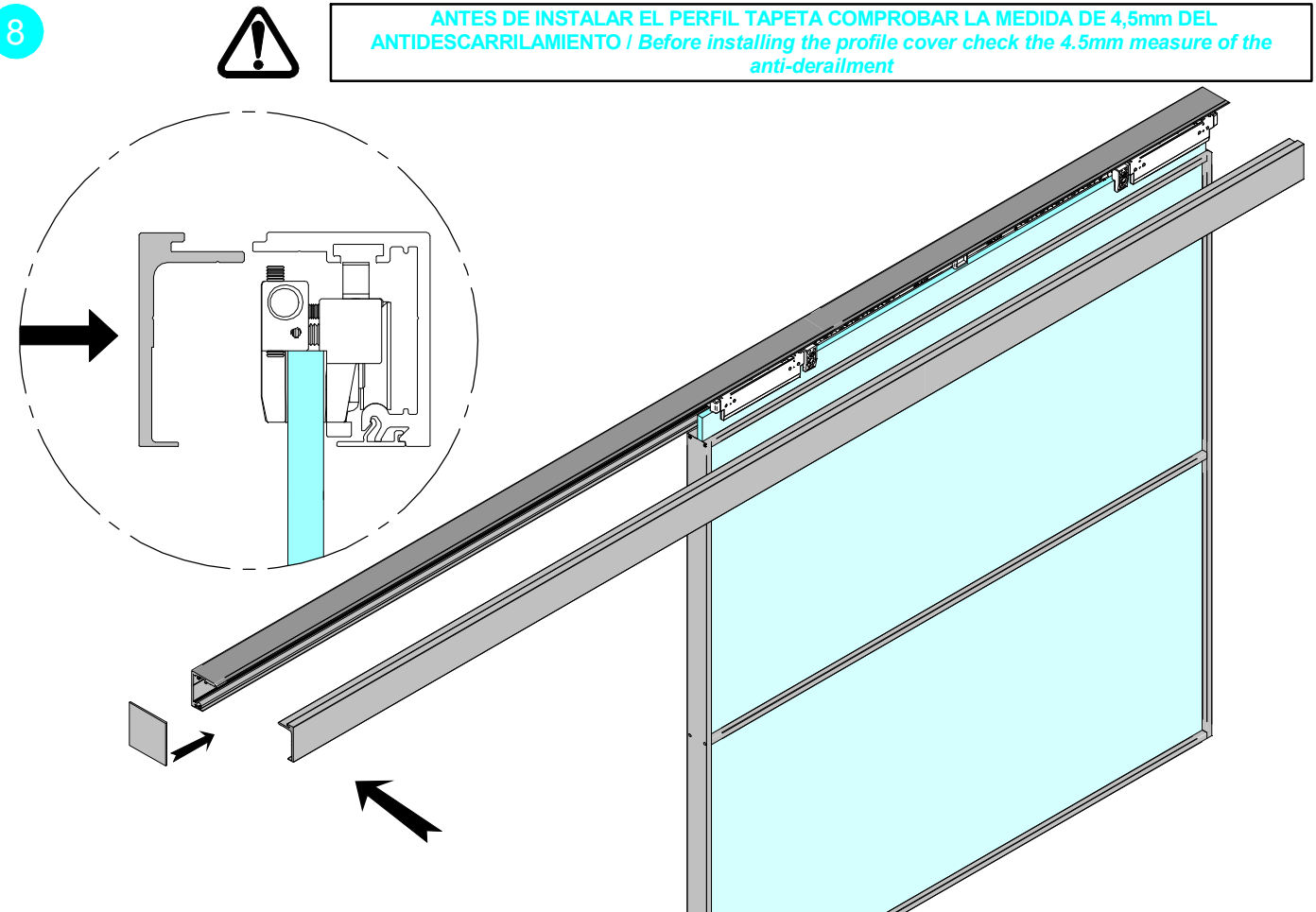


7

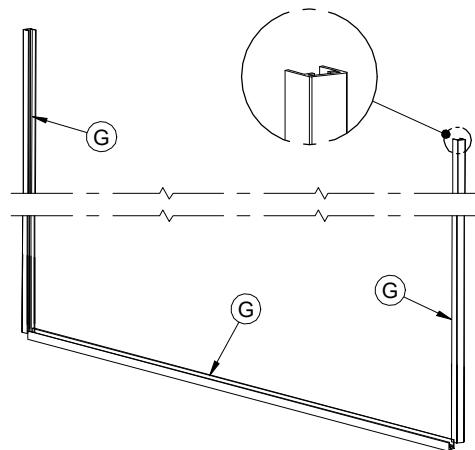


8

ANTES DE INSTALAR EL PERFIL TAPETA COMPROBAR LA MEDIDA DE 4,5mm DEL ANTIDESCARRILAMIENTO / Before installing the profile cover check the 4.5mm measure of the anti-derailment



9



10

