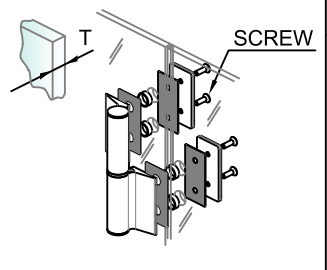
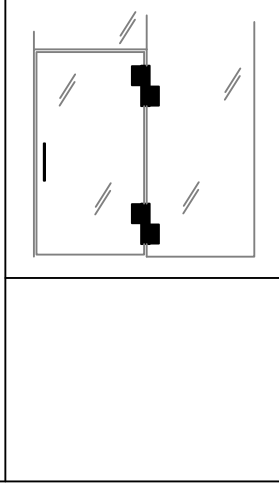
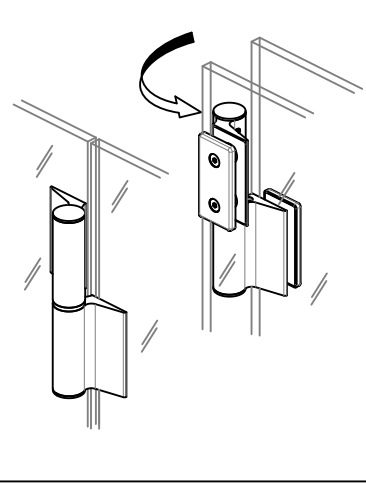


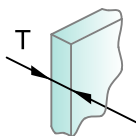


We Build the Invisible

Biloba EVO 830E50SOL - 835E50SOL



GLASS



T = 8÷21,52

T	SCREW
8-10	M6x16
10-13.52	M6x20
13.52-17.52	M6x25
17.52-21.52	M6x30

